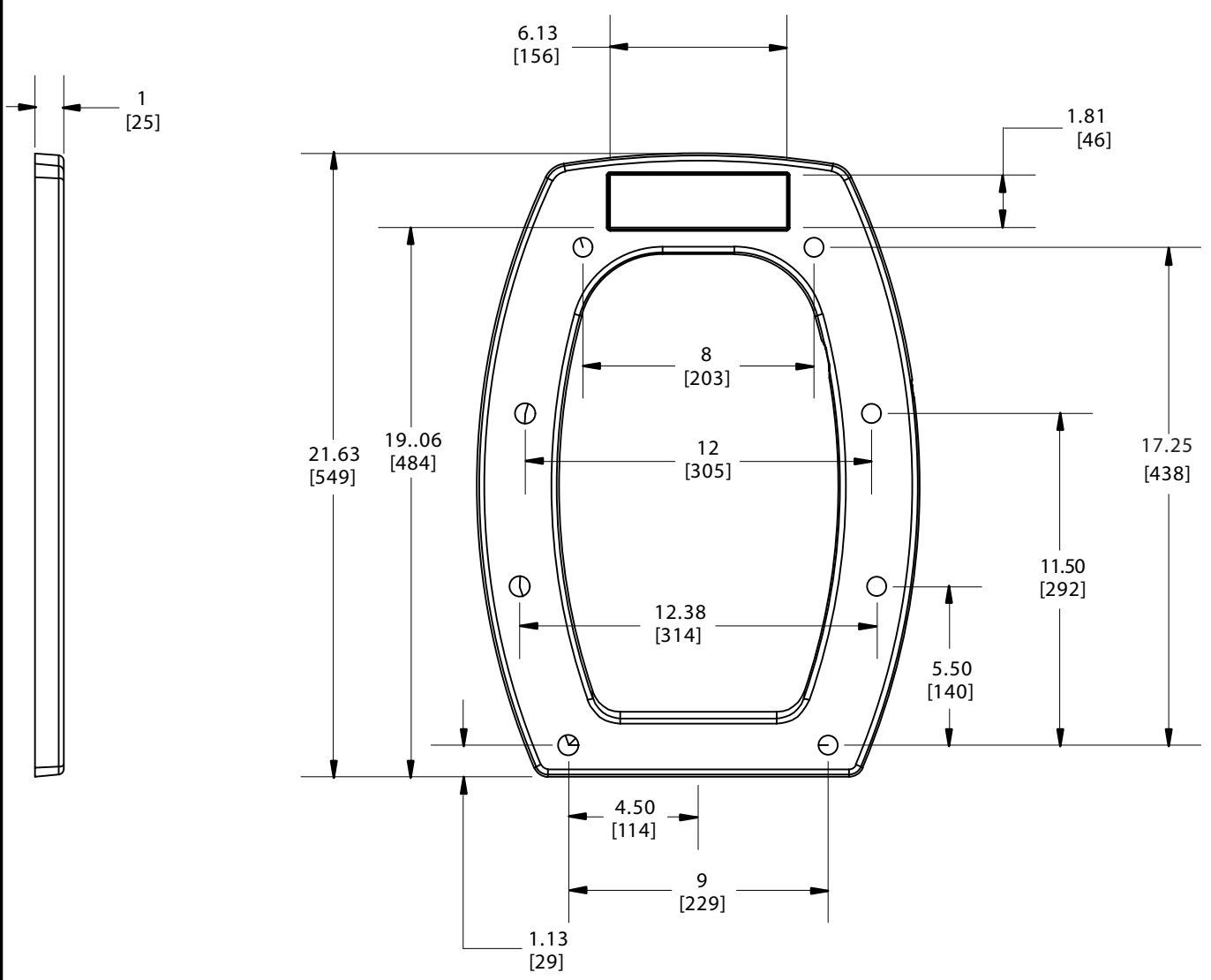


TRIM PUMP

TO BOTTOM MOUNTING HOLE



INNER TRANSOM PLATE AND HYDRAULIC PUMP

VI DRIVE INNER TRANSOM PLATE AND TRIM PUMP