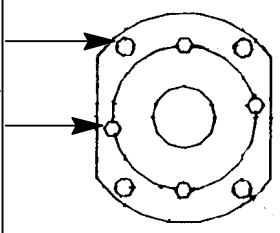
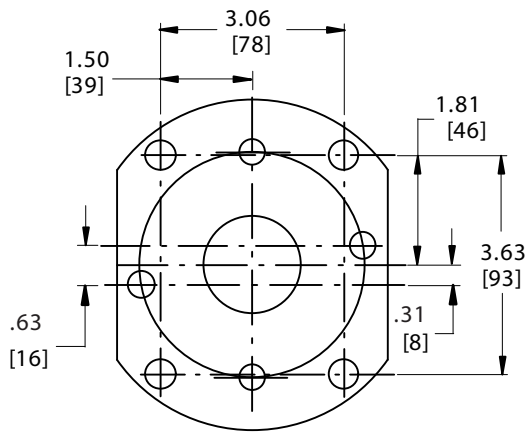


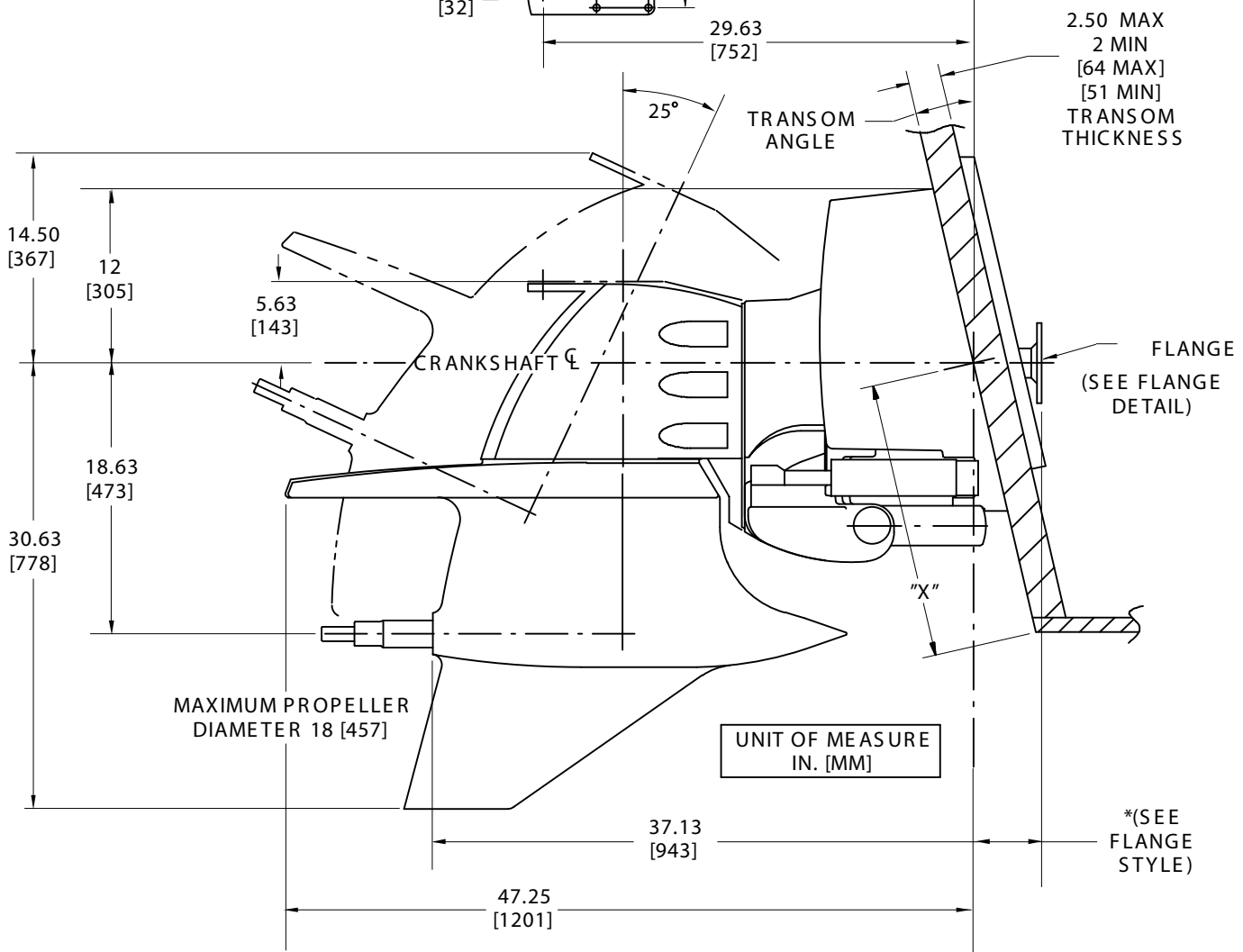
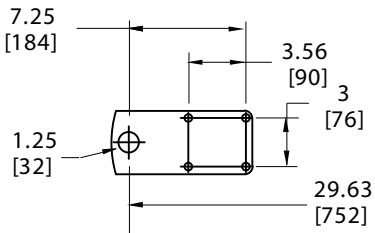
*FLANGE STYLE
4.69 [119] DIMENSION IF 0.504 [12.8] DIAMETER HOLE PATTERN IS USED.
4.94 [125] DIMENSION IF 0.440 [11.2] DIAMETER HOLE PATTERN IS USED WITH REQUIRED 0.25 [6.4] ADAPTER (PROVIDED).



FLANGE DETAIL



STEERING MOUNTING PLATE



UNIT OF MEASURE  
IN. [MM]

\*(SEE  
FLANGE  
STYLE)

VI DRIVE