



MERCURY
GO BOLDLY.™

8M0154118 1118 eng



**Operation
and
Maintenance
Manual**

350-400 L6 Verado

© 2019 Mercury Marine

Welcome

You have selected one of the finest marine power packages available. It incorporates numerous design features to ensure operating ease and durability. With proper care and maintenance, you will enjoy using this product for many boating seasons. To ensure maximum performance and carefree use, we ask that you thoroughly read this manual.

The Operation and Maintenance Manual contains specific instructions for using and maintaining your product. We suggest that this manual remain with the product for ready reference whenever you are on the water.

Thank you for purchasing one of our products. We sincerely hope your boating will be pleasant!

Mercury Marine, Fond du Lac, Wisconsin, U.S.A.

Name / function:

John Pfeifer, President,
Mercury Marine




Read This Manual Thoroughly

IMPORTANT: If you do not understand any portion of this manual, contact your dealer. Your dealer can also provide a demonstration of actual starting and operating procedures.

Notice

Throughout this publication, and on your power package, warnings, cautions,

and notices, accompanied by the International Hazard Symbol , may be used to alert the installer and user to special instructions concerning a particular service or operation that may be hazardous if performed incorrectly or carelessly. Observe them carefully.

These safety alerts alone cannot eliminate the hazards that they signal. Strict compliance with these special instructions while performing the service, plus common sense operation, are major accident prevention measures.

WARNING

Indicates a hazardous situation which, if not avoided, could result in death or serious injury.

CAUTION

Indicates a hazardous situation which, if not avoided, could result in minor or moderate injury.

NOTICE

Indicates a situation which, if not avoided, could result in engine or major component failure.

IMPORTANT: Identifies information essential to the successful completion of the task.

NOTE: Indicates information that helps in the understanding of a particular step or action.

IMPORTANT: The operator (driver) is responsible for the correct and safe operation of the boat, the equipment aboard, and the safety of all occupants aboard. We strongly recommend that the operator read this Operation and Maintenance Manual and thoroughly understand the operational instructions for the power package and all related accessories before the boat is used.

California Proposition 65



WARNING: This product can expose you to chemicals including gasoline engine exhaust, which is known to the State of California to cause cancer and birth defects or other reproductive harm. For more information go to www.P65Warnings.ca.gov.

The serial numbers are the manufacturer's keys to numerous engineering details that apply to your Mercury Marine power package. When contacting Mercury Marine about service, **always specify model and serial numbers.**

Descriptions and specifications contained herein were in effect at the time this was approved for printing. Mercury Marine, whose policies are based on continuous improvement, reserves the right to discontinue models at any time or to change specifications or designs without notice and without incurring obligation.

Warranty Message

The product you have purchased comes with a **limited warranty** from Mercury Marine; the terms of the warranty are set forth in the Warranty Manual included with the product. The Warranty Manual contains a description of what is covered, what is not covered, the duration of coverage, how to best obtain warranty coverage, **important disclaimers and limitations of damages**, and other related information. Please review this important information.

Mercury Marine products are designed and manufactured to comply with our own high quality standards, applicable industry standards and regulations, as well as certain emissions regulations. At Mercury Marine every engine is operated and tested before it is boxed for shipment to make sure that the product is ready for use. In addition, certain Mercury Marine products are tested in a controlled and monitored environment, for up to 10 hours of engine run time, in order to verify and make a record of compliance with applicable standards and regulations. All Mercury Marine product, sold as new, receives the applicable limited warranty coverage, whether the engine participated in one of the test programs described above or not.

Copyright and Trademark Information

© MERCURY MARINE. All rights reserved. Reproduction in whole or in part without permission is prohibited.

Alpha, Axis, Bravo One, Bravo Two, Bravo Three, Circle M with Waves Logo, GO BOLDLY, K-planes, Mariner, MerCathode, MerCruiser, Mercury, Mercury with Waves Logo, Mercury Marine, Mercury Precision Parts, Mercury Propellers, Mercury Racing, MotorGuide, OptiMax, Pro XS, Quicksilver, SeaCore, Skyhook, SmartCraft, Sport-Jet, Verado, VesselView, Zero Effort, Zeus, #1 On the Water and We're Driven to Win are registered trademarks of Brunswick Corporation. Mercury Product Protection is a registered service mark of Brunswick Corporation.

Identification Records

Please record the following applicable information:

Outboard		
Engine Model and Horsepower		
Engine Serial Number		
Gear Ratio		
Propeller Number	Pitch	Diameter
Watercraft Identification Number (WIN) or Hull Identification Number (HIN)		Purchase Date
Boat Manufacturer	Boat Model	Length
Exhaust Gas Emissions Certification Number (Europe Only)		

General Information

Boater's Responsibilities.....	1
Before Operating Your Outboard.....	1
Boat Horsepower Capacity.....	1
High-Speed and High-Performance Boat Operation.....	2
Outboard Remote Control Models	2
Lanyard Stop Switch.....	2
Protecting People in the Water.....	5
Exhaust Emissions.....	5
Passenger Safety Message - Pontoon Boats and Deck Boats.....	7
Wave and Wake Jumping.....	9
Impact with Underwater Hazards.....	9
Selecting Accessories for Your Outboard.....	11
Safe Boating Recommendations.....	11
Specifications.....	13
Recording Serial Number.....	15
Component Identification.....	15
Propeller Selection.....	16

Transporting

Trailer Boat/Outboard	18
-----------------------------	----

Fuel and Oil

Fuel Requirements.....	20
Fuel Additives.....	21
Low Permeation Fuel Hose Requirement	21
Fuel Demand Valve.....	21
Engine Oil Recommendations.....	22
Checking and Adding Engine Oil.....	22

Features and Controls

Panel Mount Control Features and Operation.....	25
Slim Binnacle Control Features and Operation.....	27
Dual-Handle Console Control Features and Operation.....	33
Shadow Mode Control with CAN Trackpad Features and Operation.....	41
Hot Foot.....	44
Zero Effort Controls.....	47
Warning System.....	47
Power Trim and Tilt.....	49

Operation

Important Daily Inspection Before Each Use	53
Prestarting Check List.....	53
Operating in Freezing Temperatures.....	54
Operating in Saltwater or Polluted Water.....	54
Operating at High Elevations.....	54
Propeller Selection.....	54
Effects of Elevation and Weather on Performance.....	55
Setting Trim Angle While Running Engine at Idle Speed.....	56
Engine Break-in Procedure.....	56
Fuel Supply Module Priming Procedure.....	56
Starting the Engine.....	58
Gear Shifting.....	61
Stopping the Engine.....	63

Maintenance

Cleaning Care Recommendations.....	64
EPA Emissions Regulations.....	66
Inspection and Maintenance Schedules.....	67
Flushing the Cooling System.....	69
Cowl Removal and Installation.....	69
Battery Inspection	71
Verado Engine Battery Specifications.....	71
Air Filter.....	73
Fuel System.....	74
Corrosion Control Anodes.....	77
Cowl Latch Cable Maintenance.....	77
Trim Wear Pad Replacement.....	78
Propeller Replacement.....	79
Spark Plug Inspection and Replacement.....	80
Fuses.....	83
DTS Wiring System.....	84
Accessory Drive Belt Inspection.....	85
Checking Power Trim Fluid.....	85
Checking Power Steering Fluid.....	86
Changing Engine Oil	87
Gearcase Lubrication.....	90

Storage

Storage Preparation.....	93
Protecting External Outboard Components.....	93
Protecting Internal Engine Components.....	93
Gearcase.....	94
Positioning Outboard for Storage.....	94
Battery Storage.....	94

Troubleshooting

Starter Motor Will Not Crank the Engine.....	95
Engine Will Not Start.....	95
Engine Starts But Will Not Shift Into Gear.....	95
Engine Runs Erratically.....	95
Performance Loss.....	96
Battery Will Not Hold Charge.....	96

Owner Service Assistance

Service Assistance.....	97
Ordering Literature.....	99

Installation Information

Mercury Marine Validated Engine Mounting Hardware.....	101
Fastening Hardware Specification (Not Factory Supplied).....	101
Accessories Mounted to the Transom Clamp Bracket.....	103
Fastening the Outboard.....	106

Maintenance Log

Maintenance Log.....	111
----------------------	-----

GENERAL INFORMATION

Boater's Responsibilities

The operator (driver) is responsible for the correct and safe operation of the boat and the safety of its occupants and general public. It is strongly recommended that each operator read and understand this entire manual before operating the outboard.

Be sure that at least one additional person onboard is instructed in the basics of starting and operating the outboard and boat handling in case the driver is unable to operate the boat.

Before Operating Your Outboard

Read this manual carefully. Learn how to operate your outboard properly. If you have any questions, contact your dealer.

Safety and operating information that is practiced, along with using good common sense, can help prevent personal injury and product damage.

This manual as well as safety labels posted on the outboard use the following safety alerts to draw your attention to special safety instructions that should be followed.

WARNING

Indicates a hazardous situation which, if not avoided, could result in death or serious injury.

CAUTION

Indicates a hazardous situation which, if not avoided, could result in minor or moderate injury.

NOTICE

Indicates a situation which, if not avoided, could result in engine or major component failure.

Boat Horsepower Capacity

WARNING

Exceeding the boat's maximum horsepower rating can cause serious injury or death. Overpowering the boat can affect boat control and flotation characteristics or break the transom. Do not install an engine that exceeds the boat's maximum power rating.

GENERAL INFORMATION

Do not overpower or overload your boat. Most boats will carry a required capacity plate indicating the maximum acceptable power and load as determined by the manufacturer following certain federal guidelines. If in doubt, contact your dealer or the boat manufacturer.

U.S. COAST GUARD CAPACITY	
MAXIMUM HORSEPOWER	XXX
MAXIMUM PERSON CAPACITY (POUNDS)	XXX
MAXIMUM WEIGHT CAPACITY	XXX

26777

High-Speed and High-Performance Boat Operation

If your outboard is to be used on a high-speed or high-performance boat with which you are unfamiliar, we recommend that you do not operate it at its high speed capability without first requesting an initial orientation and familiarization demonstration ride with your dealer or an operator experienced with your boat/outboard combination. For additional information, obtain a copy of our **Hi-Performance Boat Operation** booklet from your dealer, distributor, or Mercury Marine.

Outboard Remote Control Models

The outboard must be equipped with a Mercury remote control designed for digital throttle and shift. Start-in-gear protection is provided by the remote control system.

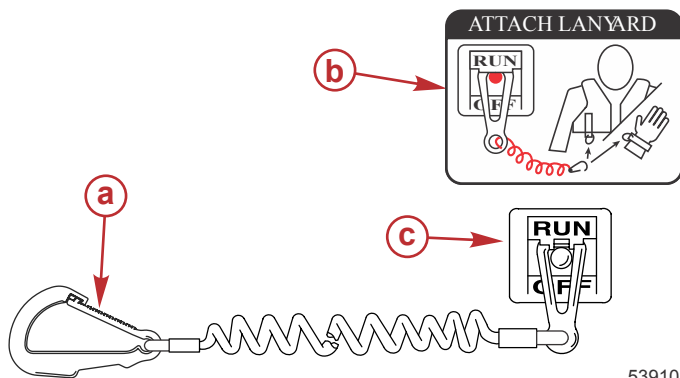
Lanyard Stop Switch

The purpose of a lanyard stop switch is to turn off the engine when the operator moves far enough away from the operator's position (as in accidental ejection from the operator's position) to activate the switch. Tiller handle outboards and some remote control units are equipped with a lanyard stop switch. A lanyard stop switch can be installed as an accessory - generally on the dashboard or side adjacent to the operator's position.

A decal near the lanyard stop switch is a visual reminder for the operator to attach the lanyard to their personal flotation device (PFD) or wrist.

GENERAL INFORMATION

The lanyard cord is usually 122–152 cm (4–5 feet) in length when stretched out, with an element on one end made to be inserted into the switch and a clip on the other end for attaching to the operator's PFD or wrist. The lanyard is coiled to make its at-rest condition as short as possible to minimize the likelihood of lanyard entanglement with nearby objects. Its stretched-out length is made to minimize the likelihood of accidental activation should the operator choose to move around in an area close to the normal operator's position. If it is desired to have a shorter lanyard, wrap the lanyard around the operator's wrist or leg, or tie a knot in the lanyard.



53910

- a - Lanyard cord clip
- b - Lanyard decal
- c - Lanyard stop switch

Read the following Safety Information before proceeding.

Important Safety Information: The purpose of a lanyard stop switch is to stop the engine when the operator moves far enough away from the operator's position to activate the switch. This would occur if the operator accidentally falls overboard or moves within the boat a sufficient distance from the operator's position. Falling overboard and accidental ejections are more likely to occur in certain types of boats such as low sided inflatables, bass boats, high performance boats, and light, sensitive handling fishing boats operated by a hand tiller. Falling overboard and accidental ejections are also likely to occur as a result of poor operating practices such as sitting on the back of the seat or gunwale at planing speeds, standing at planing speeds, sitting on elevated fishing boat decks, operating at planing speeds in shallow or obstacle infested waters, releasing your grip on a steering wheel or tiller handle that is pulling in one direction, drinking alcohol or consuming drugs, or daring high speed boat maneuvers.

GENERAL INFORMATION

While activation of the lanyard stop switch will stop the engine immediately, a boat will continue to coast for some distance depending upon the velocity and degree of any turn at shut down. However, the boat will not complete a full circle. While the boat is coasting, it can cause injury to anyone in the boat's path as seriously as the boat would when under power.

We strongly recommend that other occupants be instructed on proper starting and operating procedures should they be required to operate the engine in an emergency (if the operator is accidentally ejected).

▲ WARNING

If the operator falls out of the boat, stop the engine immediately to reduce the possibility of serious injury or death from being struck by the boat. Always properly connect the operator to the stop switch using a lanyard.

▲ WARNING

Avoid serious injury or death from deceleration forces resulting from accidental or unintended stop switch activation. The boat operator should never leave the operator's station without first disconnecting the stop switch lanyard from the operator.

Accidental or unintended activation of the switch during normal operation is also a possibility. This could cause any, or all, of the following potentially hazardous situations:

- Occupants could be thrown forward due to unexpected loss of forward motion - a particular concern for passengers in the front of the boat who could be ejected over the bow and possibly struck by the gearcase or propeller.
- Loss of power and directional control in heavy seas, strong current, or high winds.
- Loss of control when docking.

KEEP THE LANYARD STOP SWITCH AND LANYARD CORD IN GOOD OPERATING CONDITION

Before each use, check to ensure the lanyard stop switch works properly. Start the engine and stop it by pulling the lanyard cord. If the engine does not stop, have the switch repaired before operating the boat.

Before each use, visually inspect the lanyard cord to ensure it is in good working condition and that there are no breaks, cuts, or wear to the cord. Check that the clips on the ends of the cord are in good condition. Replace any damaged or worn lanyard cords.

GENERAL INFORMATION

Protecting People in the Water

WHILE YOU ARE CRUISING

It is very difficult for a person standing or floating in the water to take quick action to avoid a boat heading in his/her direction, even at slow speed.



Always slow down and exercise extreme caution any time you are boating in an area where there might be people in the water.

Whenever a boat is moving (coasting) and the outboard gear shift is in neutral position, there is sufficient force by the water on the propeller to cause the propeller to rotate. This neutral propeller rotation can cause serious injury.

WHILE THE BOAT IS STATIONARY

▲ WARNING

A spinning propeller, a moving boat, or any solid device attached to the boat can cause serious injury or death to swimmers. Stop the engine immediately whenever anyone in the water is near your boat.

Shift the outboard into neutral and shut off the engine before allowing people to swim or be in the water near your boat.

Exhaust Emissions

BE ALERT TO CARBON MONOXIDE POISONING

Carbon monoxide (CO) is a deadly gas that is present in the exhaust fumes of all internal combustion engines, including the engines that propel boats, and the generators that power boat accessories. By itself, CO is odorless, colorless, and tasteless, but if you can smell or taste engine exhaust, you are inhaling CO.

Early symptoms of carbon monoxide poisoning, which are similar to the symptoms of seasickness and intoxication, include headache, dizziness, drowsiness, and nausea.

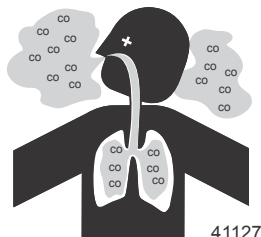
GENERAL INFORMATION

⚠ WARNING

Inhaling engine exhaust gases can result in carbon monoxide poisoning, which can lead to unconsciousness, brain damage, or death. Avoid exposure to carbon monoxide.

Stay clear from exhaust areas when engine is running. Keep the boat well-ventilated while at rest or underway.

STAY CLEAR OF EXHAUST AREAS

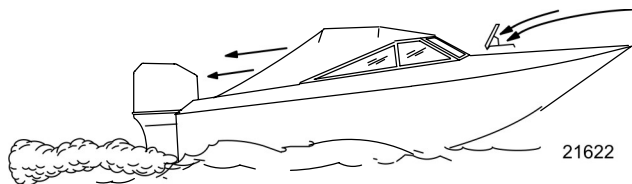


Engine exhaust gases contain harmful carbon monoxide. Avoid areas of concentrated engine exhaust gases. When engines are running, keep swimmers away from the boat, and do not sit, lie, or stand on swim platforms or boarding ladders. While underway, do not allow passengers to be positioned immediately behind the boat (platform dragging, teak/body surfing). This dangerous practice not only places a person in an area of high engine exhaust concentration, but also subjects them to the possibility of injury from the boat propeller.

GOOD VENTILATION

Ventilate the passenger area, open side curtains or forward hatches to remove fumes.

Example of desired air flow through the boat:



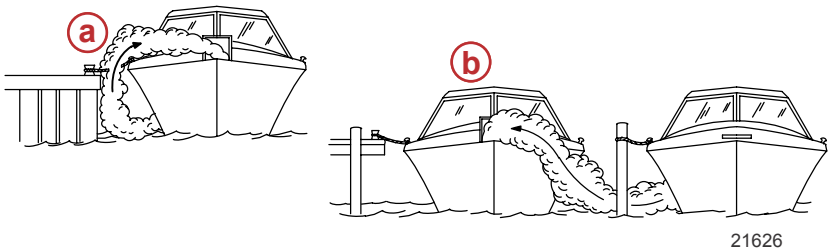
POOR VENTILATION

Under certain running and/or wind conditions, permanently enclosed or canvas enclosed cabins or cockpits with insufficient ventilation may draw in carbon monoxide. Install one or more carbon monoxide detectors in your boat.

Although the occurrence is rare, on a very calm day, swimmers and passengers in an open area of a stationary boat that contains, or is near, a running engine may be exposed to a hazardous level of carbon monoxide.

GENERAL INFORMATION

1. Examples of poor ventilation while the boat is stationary:



- a** - Operating the engine when the boat is moored in a confined space
 - b** - Mooring close to another boat that has its engine operating
2. Examples of poor ventilation while the boat is moving:



- a** - Operating the boat with the trim angle of the bow too high
- b** - Operating the boat with no forward hatches open (station wagon effect)

Passenger Safety Message - Pontoon Boats and Deck Boats

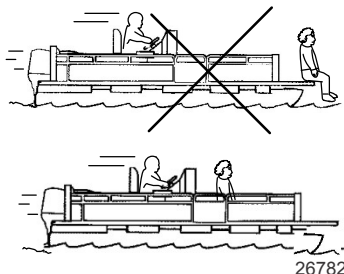
Whenever the boat is in motion, observe the location of all passengers. Do not allow any passengers to stand or use seats other than those designated for traveling faster than idle speed. A sudden reduction in boat speed, such as plunging into a large wave or wake, a sudden throttle reduction, or a sharp change of boat direction, could throw them over the front of the boat. Falling over the front of the boat between the two pontoons will position them to be run over by the outboard.

BOATS HAVING AN OPEN FRONT DECK

No one should ever be on the deck in front of the fence while the boat is in motion. Keep all passengers behind the front fence or enclosure.

GENERAL INFORMATION

Persons on the front deck could easily be thrown overboard or persons dangling their feet over the front edge could get their legs caught by a wave and pulled into the water.



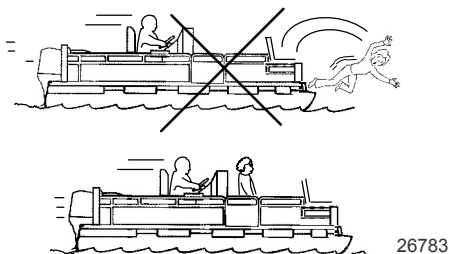
⚠ WARNING

Sitting or standing in an area of the boat not designed for passengers at speeds above idle can cause serious injury or death. Stay back from the front end of deck boats or raised platforms and remain seated while the boat is in motion.

BOATS WITH FRONT MOUNTED, RAISED PEDESTAL FISHING SEATS

Elevated fishing seats are not intended for use when the boat is traveling faster than idle or trolling speed. Sit only in seats designated for traveling at faster speeds.

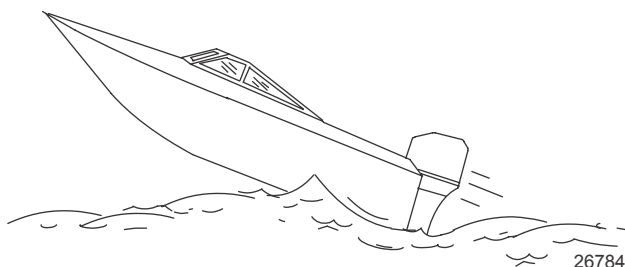
Any unexpected, sudden reduction in boat speed could result in the elevated passenger falling over the front of the boat.



GENERAL INFORMATION

Wave and Wake Jumping

Operating recreational boats over waves and wake is a natural part of boating. However, when this activity is done with sufficient speed to force the boat hull partially or completely out of the water, certain hazards arise, particularly when the boat enters the water.



The primary concern is the boat changing direction while in the midst of the jump. In such case, the landing may cause the boat to veer violently in a new direction. Such a sharp change in direction can cause occupants to be thrown out of their seats, or out of the boat.

▲ WARNING

Wave or wake jumping can cause serious injury or death from occupants being thrown within or out of the boat. Avoid wave or wake jumping whenever possible.

There is another less common hazardous result from allowing your boat to launch off a wave or wake. If the bow of your boat pitches down far enough while airborne, upon water contact it may penetrate under the water surface and submarine for an instant. This will bring the boat to a nearly instantaneous stop and can send the occupants flying forward. The boat may also steer sharply to one side.

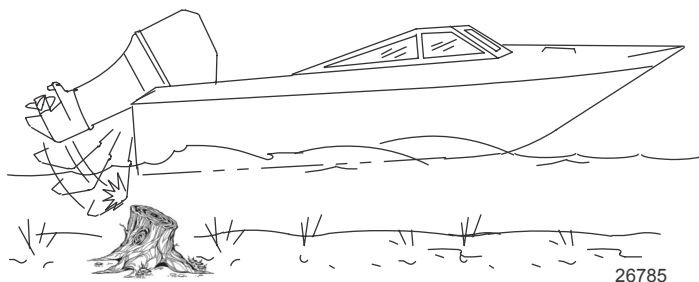
Impact with Underwater Hazards

Your outboard is equipped with a hydraulic trim and tilt system that also contains a shock absorbing feature. This feature helps the outboard withstand damage in the case of impact with an underwater object at low to moderate speeds. At higher speeds, the force of the impact may exceed the system's ability to absorb the energy of the impact and cause serious product damage.

No impact protection exists while in reverse. Use extreme caution when operating in reverse to avoid striking underwater objects.

GENERAL INFORMATION

Reduce speed and proceed with caution whenever you drive a boat in shallow water areas or in areas where you suspect underwater obstacles may exist that could be struck by the outboard or the boat bottom. **The most significant action you can take to help reduce injury or impact damage from striking a floating or underwater object is to control the boat speed. Under these conditions, boat speed should be kept to the minimum planing speed, typically 24 to 40 km/h (15 to 25 mph).**



⚠ WARNING

Avoid serious injury or death from all or part of an outboard or drive unit coming into the boat after striking a floating or underwater object. When operating in waters where objects may be at the surface or just under the surface of the water, reduce your speed and keep a vigilant lookout.

Examples of objects that can cause engine damage are dredging pipes, bridge supports, wing dams, trees, stumps, and rocks.

Striking a floating or underwater object could result in any of an infinite number of situations. Some of these situations could yield the following:

- Part of the outboard or the entire outboard could break loose and fly into the boat.
- The boat could move suddenly in a new direction. A sharp change in direction can cause occupants to be thrown out of their seats or out of the boat.
- The boat's speed could rapidly reduce. This will cause occupants to be thrown forward or even out of the boat.
- The outboard or boat could sustain impact damage.

After striking a submerged object, stop the engine as soon as possible and inspect it for any broken or loose parts. If damage is present or suspected, the outboard should be taken to an authorized dealer for a thorough inspection and necessary repair.

The boat should also be checked for any hull fractures, transom fractures, or water leaks. If water leaks are discovered after an impact, immediately activate the bilge pump.

GENERAL INFORMATION

Operating a damaged outboard could cause additional damage to other parts of the outboard or could affect control of the boat. If continued running is necessary, do so at greatly reduced speeds.

WARNING

Operating a boat or engine with impact damage can result in product damage, serious injury, or death. If the vessel experiences any form of impact, have an authorized Mercury Marine dealer inspect and repair the vessel or power package.

Selecting Accessories for Your Outboard

Genuine Mercury Precision or Quicksilver Accessories have been specifically designed and tested for your outboard. These accessories are available from Mercury Marine dealers.

IMPORTANT: Check with your dealer before installing accessories. The misuse of approved accessories or the use of nonapproved accessories can damage the product.

Some accessories not manufactured or sold by Mercury Marine are not designed to be safely used with your outboard or outboard operating system. Read the installation, operation and maintenance manuals for all your selected accessories.

Refer to **Installation Information - Accessories Mounted to the Transom Clamp Bracket** for important information on mounting accessories to the transom clamp bracket.

Safe Boating Recommendations

To safely enjoy the waterways, familiarize yourself with local and all other governmental boating regulations and restrictions and consider the following suggestions.

Know and obey all nautical rules and laws of the waterways.

- We recommend that all powerboat operators complete a boating safety course. In the U.S., the U.S. Coast Guard Auxiliary, the Power Squadron, the Red Cross, and your state or provincial boating law enforcement agency provide courses. For more information in the U.S., call the Boat U.S. Foundation at 1-800-336-BOAT (2628).

Perform safety checks and required maintenance.

- Follow a regular schedule and ensure that all repairs are properly made.

Check safety equipment onboard.

- Here are some suggestions of the types of safety equipment to carry when boating:
 - Approved fire extinguishers
 - Signal devices: flashlight, rockets or flares, flag, and whistle or horn
 - Tools necessary for minor repairs

GENERAL INFORMATION

- Anchor and extra anchor line
- Manual bilge pump and extra drain plugs
- Drinking water
- Radio
- Paddle or oar
- Spare propeller, thrust hubs, and an appropriate wrench
- First aid kit and instructions
- Waterproof storage containers
- Spare operating equipment, batteries, bulbs, and fuses
- Compass and map or chart of the area
- Personal flotation device (one per person onboard)

Watch for signs of weather change and avoid foul weather and rough-sea boating.

Tell someone where you are going and when you expect to return.

Passenger boarding.

- Stop the engine whenever passengers are boarding, unloading, or are near the back (stern) of the boat. Shifting the drive unit into neutral is not sufficient.

Use personal flotation devices.

- Federal law requires that there be a U.S. Coast Guard-approved life jacket (personal flotation device), correctly sized and readily accessible for every person onboard, plus a throwable cushion or ring. We strongly advise that everyone wear a life jacket at all times while in the boat.

Prepare other boat operators.

- Instruct at least one person onboard in the basics of starting and operating the engine and boat handling in case the driver becomes disabled or falls overboard.

Do not overload your boat.

- Most boats are rated and certified for maximum load (weight) capacities (refer to your boat's capacity plate). Know your boat's operating and loading limitations. Know if your boat will float if it is full of water. When in doubt, contact your authorized Mercury Marine dealer or the boat manufacturer.

Ensure that everyone in the boat is properly seated.

GENERAL INFORMATION

- Do not allow anyone to sit or ride on any part of the boat that was not intended for such use. This includes the backs of seats, gunwales, transom, bow, decks, raised fishing seats, and any rotating fishing seat. Passengers should not sit or ride anywhere that sudden unexpected acceleration, sudden stopping, unexpected loss of boat control, or sudden boat movement could cause a person to be thrown overboard or into the boat. Ensure that all passengers have a proper seat and are in it before any boat movement.

Never operate a boat while under the influence of alcohol or drugs. It is the law.

- Alcohol or drugs can impair your judgment and greatly reduce your ability to react quickly.

Know your boating area and avoid hazardous locations.

Be alert.

- The operator of the boat is responsible by law to maintain a proper lookout by sight and hearing. The operator must have an unobstructed view particularly to the front. No passengers, load, or fishing seats should block the operator's view when the boat is above idle or planing transition speed. Watch out for others, the water, and your wake.

Never drive your boat directly behind a water-skier.

- Your boat traveling at 40 km/h (25 mph) will overtake a fallen skier who is 61 m (200 ft) in front of you in five seconds.

Watch fallen skiers.

- When using your boat for waterskiing or similar activities, always keep a fallen or down skier on the operator's side of the boat while returning to attend to the skier. The operator should always have the down skier in sight and never back up to the skier or anyone in the water.

Report accidents.

- Boat operators are required by law to file a boating accident report with their state boating law enforcement agency when their boat is involved in certain boating accidents. A boating accident must be reported if 1) there is loss of life or probable loss of life, 2) there is personal injury requiring medical treatment beyond first aid, 3) there is damage to boats or other property where the damage value exceeds \$500.00, or 4) there is complete loss of the boat. Seek further assistance from local law enforcement.

Specifications

Models	350	400
Horsepower	350	400
Kilowatts	257	316
Full throttle RPM range	5800–6400	6200–6800

GENERAL INFORMATION

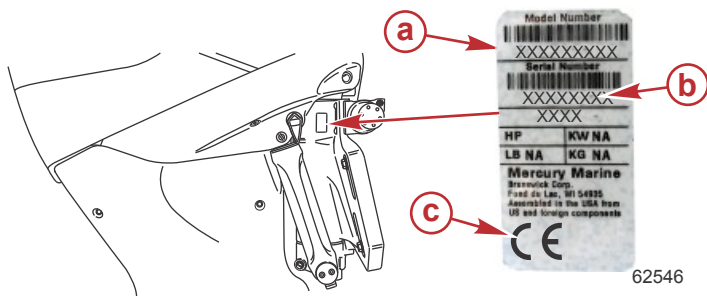
Models	350	400
Idle RPM in neutral gear*	600	
Number of cylinders	6	
Displacement	2,598 cc (158.5 cid)	
Cylinder bore	82 mm (3.23 in.)	
Stroke	82 mm (3.23 in.)	
Spark plug	NGK ILFR6G-E	
Spark plug gap	0.8 mm (0.0315 in.)	
Spark plug hex size	16 mm	
Gear ratio	1.75:1	
Recommended gasoline	Refer to Fuel and Oil	
Recommended oil	Refer to Fuel and Oil	
Gearcase capacity	Refer to Maintenance - Gearcase Lubrication	
Engine oil capacity with oil filter replacement	7.0 Liter (7.4 US qt)	
Required battery type	12-volt AGM (absorbed glass mat) battery	
USA (SAE) battery type	800 minimum marine cranking amps (MCA) with a minimum reserve capacity of 135 minutes RC25 rating	
International (EN) battery type	975 minimum cold cranking amps (CCA) with a minimum of 65 amp hours (Ah)	

* Engine at normal operation temperature.

GENERAL INFORMATION

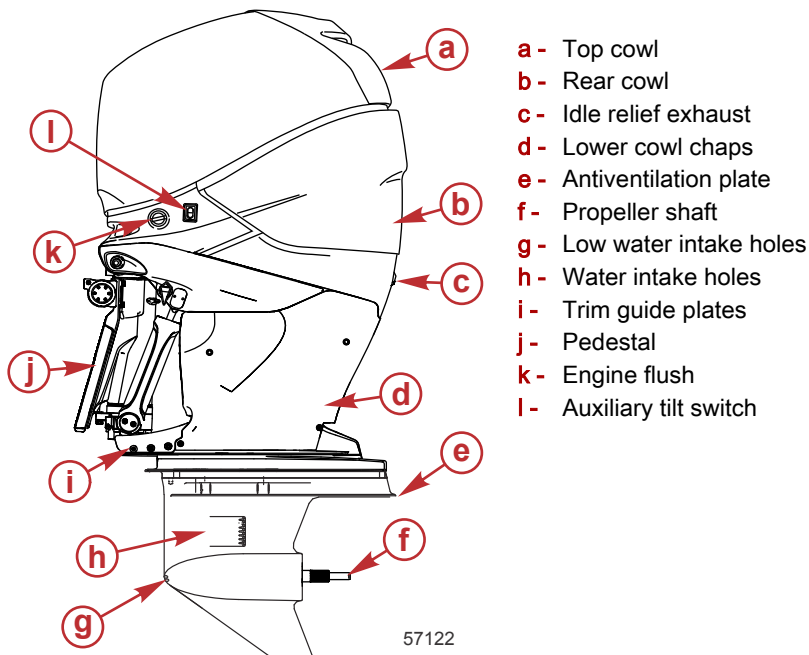
Recording Serial Number

It is important to record this number for future reference. The serial number is located on the outboard, as shown.



- a** - Model number
- b** - Serial number
- c** - Certified Europe Insignia (as applicable)

Component Identification



GENERAL INFORMATION

Propeller Selection

The propeller on your outboard is one of the most important components in the propulsion system. An improper propeller choice can significantly affect the performance of your boat and could result in damage to the outboard engine.

When choosing a propeller, a full selection of aluminum and stainless steel propellers specifically designed for your outboard are available through Mercury Marine. To view the entire product offering and find the correct propeller that is best suited for your application, visit www.mercmarinepropellers.com or see your local authorized Mercury dealer.

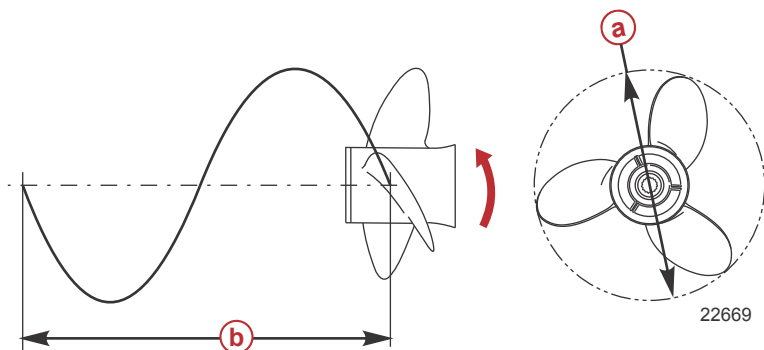
SELECTING THE CORRECT PROPELLER

An accurate tachometer for measuring engine speed is important in choosing the correct propeller.

Choose a propeller for your boating application that will allow the engine to operate within the specified full throttle operating range. When operating the boat at full throttle under normal load conditions, the engine RPM should be in the upper half of the recommended full throttle RPM range. Refer to **Specifications**. If engine RPM is above that range, select a propeller of increased pitch in order to reduce engine RPM. If engine RPM is below the recommended range, select a propeller of reduced pitch to increase engine RPM.

IMPORTANT: To ensure proper fit, and performance, Mercury Marine recommends the use of Mercury or Quicksilver branded propellers and mounting hardware.

Propellers are designated by the diameter, pitch, number of blades, and material. The diameter and pitch are stamped (cast) into the side or the end of the propeller hub. The first number represents the diameter of the propeller and the second number represents the pitch. For example, 14x19 represents a propeller with a 14 inch diameter and 19 inches of pitch.



a - Diameter

b - Pitch - Travel during one revolution

GENERAL INFORMATION

The following are some propeller basics that will help you determine the correct propeller for your boating application.

Diameter - The diameter is the distance across the imaginary circle that is made when the propeller rotates. The correct diameter for each propeller has been predetermined for the design of your outboard. However, when more than one diameter is available for the same pitch, use a larger diameter for heavy boat applications and a smaller diameter for lighter applications.

Pitch - The pitch is the theoretical distance, in inches, that a propeller travels forward during one revolution. Pitch can be thought of similar to gears in a car. The lower the gear, the faster the car will accelerate, but with lower overall top speed. Likewise, a lower pitch propeller will accelerate quickly, but top-end speed will be reduced. The higher the propeller pitch the faster the boat will usually go; though typically slowing acceleration.

Determining the correct pitch size - First, check the full throttle RPM under normal load condition. If the full throttle RPM is within the recommended range, select a replacement or upgrade propeller with the same pitch as the current propeller.

- Adding 1 inch of pitch will reduce the full throttle RPM by 150 to 200
- Subtracting 1 inch of pitch will increase full throttle RPM by 150 to 200
- Upgrading from a 3-blade propeller to a 4-blade propeller will generally decrease full throttle RPM by 50 to 100

IMPORTANT: Avoid damage to the engine. Never use a propeller that allows the engine to exceed the recommended full throttle RPM range when under normal full throttle operation.

PROPELLER MATERIAL

Most propellers manufactured by Mercury Marine are made from either aluminum or stainless steel. Aluminum is suitable for general purpose use and is standard equipment on many new boats. Stainless steel is over five times more durable than aluminum and typically provides performance gains in acceleration and top end speed due to design efficiencies. Stainless steel propellers also come in a larger variety of sizes and styles that allow you to dial in the ultimate performance for your boat.

3 BLADE VS. 4 BLADE

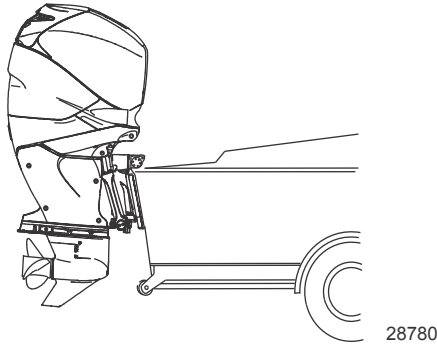
Available in many sizes of both aluminum and stainless, 3 and 4-blade propellers have unique performance characteristics. In general, 3-blade propellers offer good all around performance and higher top speed than 4-blade propellers. However, 4-blade propellers are usually faster to plane and more efficient at cruising speeds, but lack the top end speed of a 3-blade propeller.

TRANSPORTING

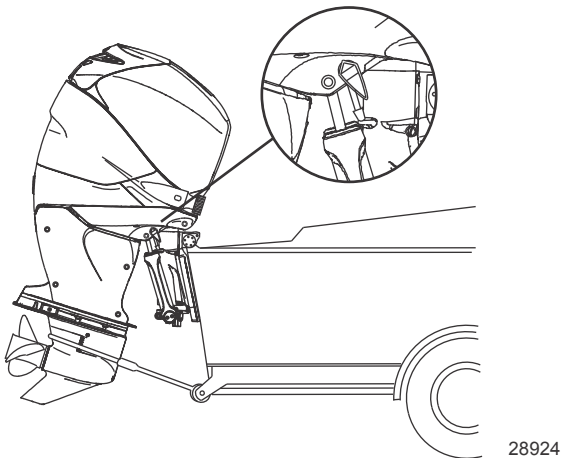
Trailing Boat/Outboard

When transporting the boat on a trailer, the outboard should be positioned and supported in one of the following ways:

1. If the boat trailer provides sufficient ground clearance, the outboard may be tilted down to the vertical operating position with no additional support required.

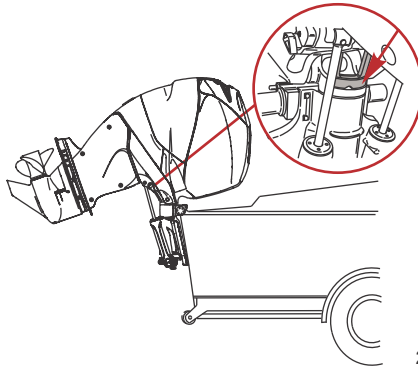


2. If additional ground clearance is required, the outboard should be tilted up and supported using the outboard's tilt support bracket (trailing position) in addition to using an accessory transom support device. Refer to **Features and Controls - Power Trim and Tilt**.



TRANSPORTING

3. For maximum ground clearance, the outboard can be tilted to the full tilt position and supported using the outboard tilt support bracket or an accessory transom support device.



28779

Additional clearance may be required for railroad crossings, driveways, and trailer bouncing. See your local dealer for recommendations.

IMPORTANT: Do not rely on the power trim/tilt system to maintain proper ground clearance for trailering. The power trim/tilt system is not intended to support the outboard for trailering.

FUEL AND OIL

Fuel Requirements

IMPORTANT: Use of improper gasoline can damage your engine. Engine damage resulting from the use of improper gasoline is considered misuse of the engine and will not be covered under the limited warranty.

Mercury outboard engines will operate satisfactorily with any major brand of unleaded gasoline that meets the following specifications:

MODELS 350 AND 400

USA and Canada - A posted pump octane rating of 91 (R+M)/2 is required for best performance. A posted pump octane rating of 89 (R+M)/2 minimum is acceptable, however, performance losses may occur. **Do not** use leaded gasoline.

Outside USA and Canada - A posted pump octane rating of 95 RON is required for best performance. A posted pump octane rating of 93 RON minimum is acceptable, however, performance losses may occur. **Do not** use leaded gasoline.

USING REFORMULATED (OXYGENATED) GASOLINE (USA ONLY)

Reformulated gasoline is required in certain areas of the USA and is acceptable for use in your Mercury Marine engine. The only oxygenate currently in use in the USA is alcohol (ethanol, methanol, or butanol).

GASOLINES CONTAINING ALCOHOL

Bu16 Butanol Fuel Blends

Fuel blends of up to 16.1% butanol (Bu16) that meet the published Mercury Marine fuel rating requirements are an acceptable substitute for unleaded gasoline. Contact your boat manufacturer for specific recommendations on your boat's fuel system components (fuel tanks, fuel lines, and fittings).

Methanol and Ethanol Fuel Blends

IMPORTANT: The fuel system components on your Mercury Marine engine will withstand up to 10% alcohol (methanol or ethanol) content in the gasoline. Your boat's fuel system may not be capable of withstanding the same percentage of alcohol. Contact your boat manufacturer for specific recommendations on your boat's fuel system components (fuel tanks, fuel lines, and fittings).

Be aware that gasoline containing methanol or ethanol may cause increased:

- Corrosion of metal parts
- Deterioration of rubber or plastic parts
- Fuel permeation through the rubber fuel lines
- Likelihood of phase separation—water and alcohol separating from the gasoline in the fuel tank

FUEL AND OIL

⚠ WARNING

Fuel leakage is a fire or explosion hazard, which can cause serious injury or death. Periodically inspect all fuel system components for leaks, softening, hardening, swelling, or corrosion, particularly after storage. Any sign of leakage or deterioration requires replacement before further engine operation.

IMPORTANT: If you use gasoline that contains or might contain methanol or ethanol, you must increase the frequency of inspection for leaks and abnormalities.

IMPORTANT: When operating a Mercury Marine engine on gasoline containing methanol or ethanol, do not store the gasoline in the fuel tank for long periods. Cars normally consume these blended fuels before they can absorb enough moisture to cause trouble; boats often sit idle long enough for phase separation to take place. Internal corrosion may occur during storage if alcohol has washed protective oil films from internal components.

Fuel Additives

To minimize carbon deposit buildup in the engine, add Mercury or Quicksilver Quickleen Engine and Fuel System Cleaner to the engine's fuel at each tank throughout the boating season. Use the additive as directed on the container.

Low Permeation Fuel Hose Requirement

Required for outboards manufactured for sale, sold, or offered for sale in the United States.

- The Environmental Protection Agency (EPA) requires that any outboard manufactured after January 1, 2009, must use low permeation fuel hose for the primary fuel hose connecting the fuel tank to the outboard.
- Low permeation hose is USCG Type B1-15 or Type A1-15, defined as not exceeding 15 g/m²/24 h with CE 10 fuel at 23 °C as specified in SAE J 1527 - marine fuel hose.

Fuel Demand Valve

Some boat fuel systems incorporate a fuel demand valve between the fuel tank and the engine and others do not. This engine can be operated with or without a fuel demand valve.

The fuel demand valve has a manual release. The manual release can be used (pushed in) to open (bypass) the valve in case of a fuel blockage in the valve.

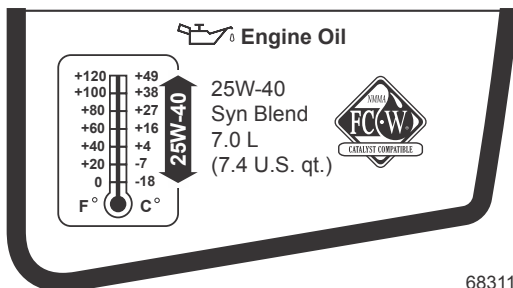


- a** - Fuel demand valve - installed in the fuel hose between the fuel tank and primer bulb
- b** - Manual release
- c** - Vent/water drain holes

FUEL AND OIL

Engine Oil Recommendations

Mercury 25W-40 NMMA certified FC-W Catalyst Compatible® Synthetic Blend Marine Engine Oil is the preferred choice for general, all-temperature use in all 350 and 400 HP Verado engines.



68311

In lieu of the preferred grade oil, the following may be used (listed in the order of preference):

- Mercury 25W-40 Mineral Catalyst Compatible FC-W® Oil
- 25W-40 NMMA certified FC-W® Marine Engine Oil

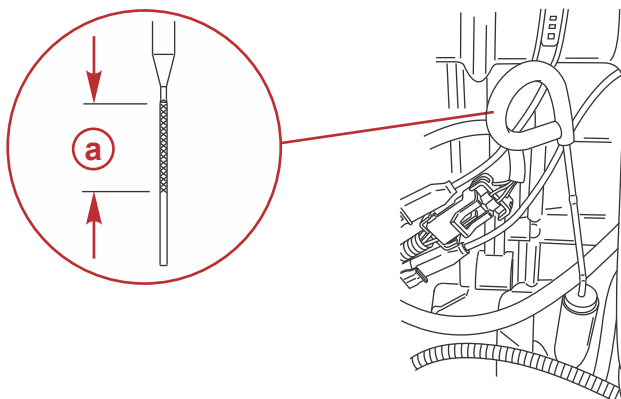
Checking and Adding Engine Oil

IMPORTANT: Do not overfill. Tilt the outboard out/up past vertical for approximately one minute to allow trapped oil to drain back to the oil sump. The outboard must be in a vertical (not tilted) position when checking engine oil. For accurate readings, check oil only when engine is cold or after engine has not run for at least an hour.

1. Before starting (cold engine) tilt outboard out/up past vertical to allow trapped oil to drain back to the oil sump. Allow outboard to remain tilted for approximately one minute.
2. Tilt the outboard to a vertical operating position.
3. Remove the top cowl. Refer to **Maintenance - Cowl Removal and Installation**.
4. Pull out the dipstick. Wipe the dipstick end with a clean rag or towel and push it back in all the way.
5. Pull the dipstick back out again and observe the oil level. Oil should be in the operating range (crosshatched region).

FUEL AND OIL

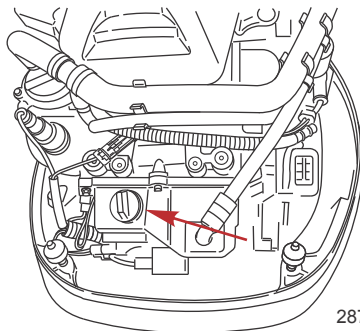
IMPORTANT: Do not try to fill the oil level to the top of the operating range (crosshatched region). Oil level is correct as long as it appears in the operating range (crosshatched region).



15730

a - Oil level operating range

6. If the oil level is below the operating range (crosshatched region), remove the oil filler cap and add approximately 500 ml (16 oz) of specified outboard motor oil.



28761

7. Tilt outboard out/up past vertical to allow trapped oil to drain back to the oil sump. Allow outboard to remain tilted for approximately one minute.
8. Tilt the outboard to a vertical operating position and check the dipstick.
9. Repeat the process until oil level is on the operating range (crosshatched region). Do not try to fill to the upper end of the operating range (crosshatched region).

IMPORTANT: Inspect oil for signs of contamination. Oil contaminated with water will have a milky color to it; oil contaminated with fuel will have a strong fuel smell. If contaminated oil is noticed, have the engine checked by your dealer.

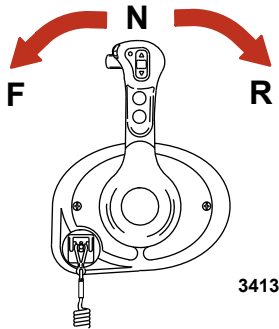
FUEL AND OIL

10. Push the dipstick back in all the way.
11. Install the oil fill cap hand tight.
12. Install the top cowl.

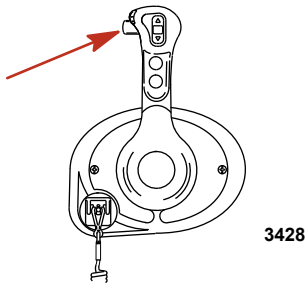
FEATURES AND CONTROLS

Panel Mount Control Features and Operation

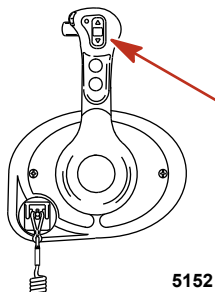
1. Operation of the shift and throttle is controlled by the movement of the control handle. Push the control handle forward from neutral to the first detent for forward gear. Continue pushing forward to increase speed. Pull the control handle back from neutral to the first detent for reverse gear. Continue pulling back to increase speed.



2. Shift lock - Pressing the shift lock allows the engine to shift. The shift lock must always be pressed when moving the control handle out of the neutral position.

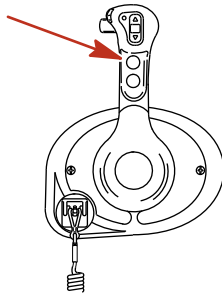


3. Trim switch (if equipped) - Pressing the trim switch will trim the engine up or down.



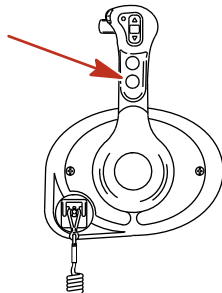
FEATURES AND CONTROLS

4. Throttle only button - Allows the boat operator to increase engine RPM for warm-up, without shifting the engine into gear. To engage throttle only, move the control handle into the neutral position. Press the throttle only button while moving the control handle ahead to the forward detent. The horn indicates throttle only is engaged. Advance throttle to increase engine RPM. To disengage, return the control handle to the neutral position. Engine RPM is limited to prevent engine damage.



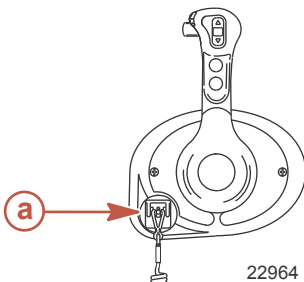
3416

5. Stop/start button - Allows the boat operator to start or stop the engine without using the ignition key. The ignition key must be in the "ON" position to start the engine.



3414

6. Lanyard stop switch - Turns the ignition off whenever the operator (when attached to the lanyard) moves far enough away from the operator's position to activate the switch.

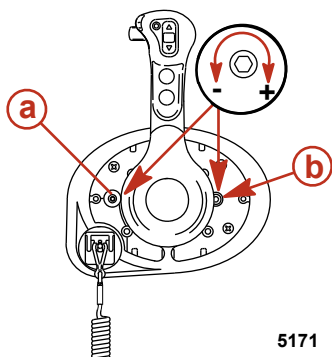


a - Lanyard stop switch

22964

FEATURES AND CONTROLS

- Control handle tension adjustment screw - This screw can be adjusted to increase or decrease the tension on the control handle (cover must be removed). This will help prevent unwanted motion of the handle in rough water. Turn screw clockwise to increase tension and counterclockwise to decrease tension. Adjust to tension desired.
- Detent tension adjustment screw - This screw can be adjusted to increase or decrease the effort to move control handle out of detent positions (cover must be removed). Turning the screw clockwise will increase tension. Adjust to tension desired.



- a** - Detent tension adjustment screw
b - Control handle tension adjustment screw

5171

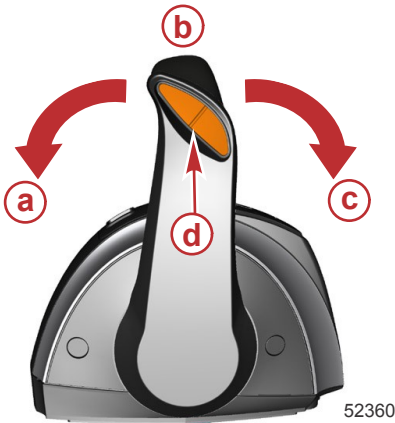
Slim Binnacle Control Features and Operation

DTS SLIM BINNACLE SINGLE HANDLE CONSOLE FEATURES AND OPERATION

- Operation of shift and throttle is controlled by the movement of the control handle. Push the control handle forward from neutral to the first detent for forward gear. Continue pushing forward to increase speed. Pull the control handle back from neutral to the first detent for reverse gear. Continue pushing back to increase speed.

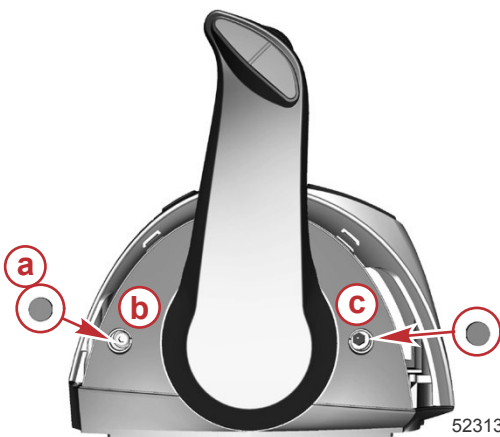
FEATURES AND CONTROLS

- Trim switch (if equipped) - When the power trim switch is activated on the ERC handle, the DTS command module senses a closed circuit for either up or down trim. The DTS command module formulates a signal and sends it to the PCM. The PCM closes the ground circuit to the up or down trim relay.



- a - Forward
- b - Neutral
- c - Reverse
- d - Trim switch

- Detent tension adjustment screw - This screw can be adjusted to increase or decrease the effort to move control handle out of detent positions. Turning screw clockwise will increase tension. Adjust to tension desired.
- Control handle tension adjustment screw - This screw can be adjusted to increase or decrease the tension on the control handle. This will help prevent unwanted motion of the remote control handle in rough water. Turn screw clockwise to increase tension and counterclockwise to decrease tension. Adjust to tension desired.



- a - Caps (2)
- b - Detent tension adjustment
- c - Control handle tension adjustment

NOTE: The control handle tension and detent tension screws may require periodic maintenance adjustment.

FEATURES AND CONTROLS

Special Digital Throttle and Shift (DTS) Features

The DTS system features several alternate operational modes for the electronic remote control (ERC) levers.



Slim binnacle ERC

Item	Control	Function
a	Trim control (handle)	Raises and lowers the engine for best efficiency, or for conditions such as shallow water, trailering, etc.
b	"Stop/Start"	Allows the operator to start or stop the engine without the use of the key switch. The key switch must be in the run position for the start/stop switch to function.
c	"Transfer"	Allows boat control to be transferred to a different helm.
d	"Throttle-only"	Allows the boat operator to increase engine RPM for warm-up without shifting the transmission into gear.
e	"+"	Increases brightness settings for CAN pad, VesselView and SmartCraft gauges.
f	"_"	Decreases brightness settings for CAN pad, VesselView and SmartCraft gauges.
g	"Dock"	Reduces control lever operation throttle capacity to approximately 50% of normal control lever throttle demand.
h	Neutral light	Illuminates when the drive is in the neutral gear position. The lights flash when the engine is in throttle only mode.

FEATURES AND CONTROLS

HELM TRANSFER

Some boats are designed to allow control of the vessel from more than one location. These locations are commonly referred to as helms or stations. Helm transfer is a term used to describe the method of transferring control from one helm (or station) to another helm.

WARNING

Avoid serious injury or death from loss of boat control. The boat operator should never leave the active station while engine is in gear. Helm transfer should only be attempted while both stations are manned. One-person helm transfer should only be performed while engine is in neutral.

The helm transfer function allows the boat operator to select which helm is in control of the vessel. Before a transfer can be initiated the ERC levers at the active helm and at the helm intended for the transfer must be in the neutral position.

NOTE: *If you attempt to transfer helm control when the ERC levers are not in neutral, a beep will sound and the helm transfer will not succeed until the levers at the helms are moved to neutral and transfer is requested again.*

Some fault codes may appear on VesselView if other control or navigation functions are attempted after the helm transfer procedure is started. To remove the fault codes it may be necessary to cycle the key switch off and on, and then restart the helm transfer procedure. Ensure that other control and navigation inputs are performed after helm transfer is complete to avoid setting fault codes.

NOTICE

The ERC levers must be in neutral to perform a helm transfer. While in neutral your vessel could drift and collide with objects nearby resulting in damage. Keep an adequate look out while performing the helm transfer.

To avoid damage, use extra care when attempting a helm transfer while the vessel is close to docks, piers, or other fixed items or when near other vessels.

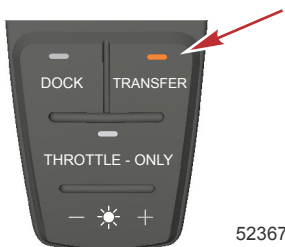
REQUESTING HELM TRANSFER

NOTE: *Any movement of the ERC levers after pressing the transfer button terminates the helm transfer request. A single beep sounds and the transfer button light turns off signaling the end of the transfer request.*

To request the transfer of vessel control from one helm to another:

FEATURES AND CONTROLS

1. At the helm you are requesting be made active and with the ERC levers in neutral, press the transfer button one time. After the transfer button is pressed, the transfer button light turns on and one beep will sound confirming the impending transfer.



"Transfer" button

NOTE: If the ERC levers at the helms are not in neutral, the neutral lights will flash. Move all the ERC levers to neutral and the neutral light will stop flashing.

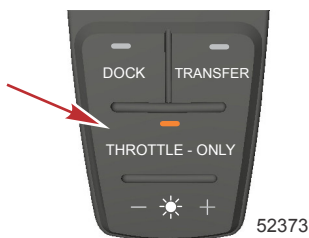
2. With the transfer button light and neutral light on, press the transfer button a second time to complete the helm transfer.
3. When the helm transfer is complete, another beep sounds and the transfer button light turns off.

NOTE: If the helm transfer is not completed in 10 seconds, the request is automatically cancelled, a double beep sounds and control will remain at the existing active helm. Press the transfer button again to start the helm transfer.

4. The helm where the transfer request was initiated, is now active and controls the vessel.

THROTTLE-ONLY

Throttle-only allows the operator to increase the engine RPM for warm-up without shifting the engine into gear. To engage throttle-only mode:



"Throttle-Only" button

1. Place the ERC lever in neutral.
2. Press the "Throttle-Only" button. The button light will turn on and the neutral lights will blink.

FEATURES AND CONTROLS

3. Place either ERC lever into gear. The warning horn will beep each time the lever is moved in and out of gear while in throttle-only, but will remain in neutral.
4. The RPM of the engines can be increased.

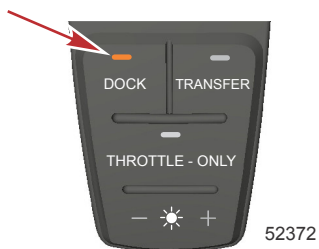
NOTE: Pressing the "Throttle-Only" button while the ERC lever is not in the neutral position, turns the button light off and remains in throttle-only mode. You must place the ERC lever into the neutral position to disengage throttle-only mode.

To disengage throttle-only mode:

1. Place the ERC lever into neutral. Throttle-only will not disengage unless the ERC lever is in neutral.
2. Press the "Throttle-Only" button. The button light will turn off.
3. The neutral lights stop flashing and remain illuminated.

DOCK

Dock mode reduces throttle capacity to approximately 50% of normal throttle demand, allowing finer control of engine power in close quarter situations. If more power is needed for vessel maneuvering when environmental conditions require more thrust, disable dock mode to return the engine control to full thrust capability.



"DOCK" button

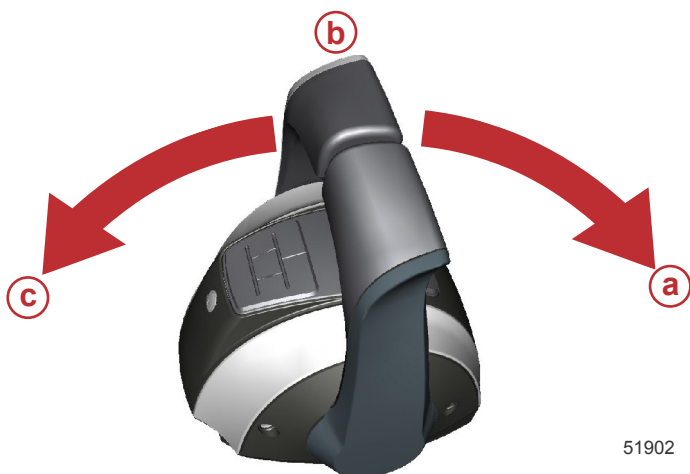
FEATURES AND CONTROLS

Dual-Handle Console Control Features and Operation

DUAL-HANDLE ELECTRONIC REMOTE CONTROL (ERC)— OPERATION AND ADJUSTMENT

Operation

The electronic remote control (ERC) handle controls the shift and throttle operation. Push the control handle forward from neutral to the first detent for forward gear. Continue pushing the handle forward to increase speed. Pull the control handle from the forward position to the neutral position to decrease speed and eventually stop. Pull the control handle back from neutral to the first detent for reverse gear. Continue pulling the handle back to increase speed in reverse.



51902

- a** - Forward
- b** - Neutral
- c** - Reverse

The amount of force needed to move the handles and to move the handles through the detents is adjustable to help prevent unwanted motion.

Adjustment

NOTE: *The control handle tension and detent tension may require periodic maintenance using the adjustment screws.*

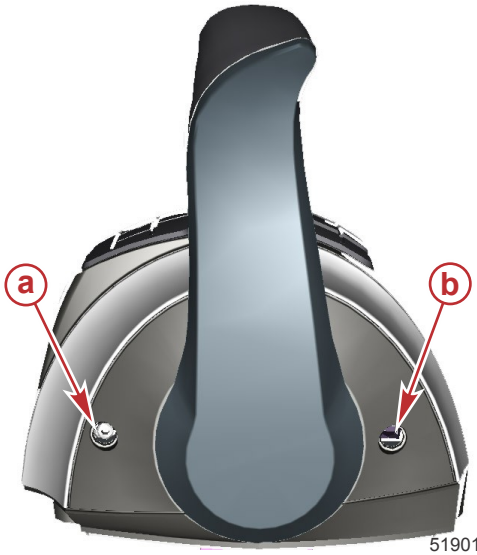
To adjust the handle detent tension:

1. Remove the side cover plugs of the handle that needs adjustment.
2. Turn the adjustment screw clockwise to increase tension on the control handle and counterclockwise to decrease tension.
3. Adjust to the tension desired.

FEATURES AND CONTROLS

To adjust handle tension:

1. Remove the side cover plugs of the handle that needs adjustment.
2. Turn the adjustment screw clockwise to increase tension on the control handle and counterclockwise to decrease tension.
3. Adjust to the tension desired.



a - Detent tension adjustment screw

b - Handle tension adjustment screw

FEATURES AND CONTROLS

SPECIAL DIGITAL THROTTLE AND SHIFT (DTS) FEATURES

The DTS system features several alternate operational modes for the electronic remote control (ERC) levers. Any of the listed features can operate simultaneously.



55232

Dual engine ERC

Item	Control	Function
a	Trim control (handle)	Raises and lowers the engines for best efficiency, or for conditions such as shallow water, trailering, etc.
b	NEUTRAL lights	Illuminate when the drive is in the neutral gear position. The lights flash when the engine is in throttle only mode.
c	TRANSFER	Allows boat control to be transferred to a different helm. Refer to Helm Transfer .
d	DOCK	Control lever operation reduces throttle capacity to approximately 50% of normal control lever throttle demand.
e	+	Increases brightness settings for CAN pad, VesselView and SmartCraft gauges.
f	THROTTLE ONLY	Allows the boat operator to increase engine RPM for warm-up without shifting the transmission into gear.
g	-	Decreases brightness settings for CAN pad, VesselView and SmartCraft gauges.

FEATURES AND CONTROLS

Item	Control	Function
h	1 LEVER	Enables the throttle and shift functions of both engines to be controlled by the port lever.
i	SYNC	Turns off or on the auto-synchronization feature. Refer to Sync .

NOTE: Not all functions may be active.

Dock

Dock mode reduces throttle capacity to approximately 50% of normal throttle demand, allowing finer control of engine power in close quarter situations.



DOCK button

Throttle Only

NOTE: Throttle only mode should be used if the captain is not in command at the helm. Placing the ERC in throttle only mode will avoid unintended gear engagement. The engines will turn using the steering wheel and the RPM of the engines can be increased while in the throttle only mode, but the gear position will remain in neutral.



THROTTLE ONLY button

To engage throttle only mode:

1. Place both ERC levers in neutral.

FEATURES AND CONTROLS

2. Press the THROTTLE ONLY button. The button light will turn on and the neutral lights will blink.
3. Place either ERC lever into gear. The warning horn will beep each time the levers are moved in and out of gear while in throttle only, but will remain in neutral.
4. The RPM of the engines can be increased.

NOTE: Pressing the THROTTLE ONLY button while the ERC levers are not in the neutral position, turns the button light off and remains in throttle only mode. You must place the ERC levers into the neutral position to disengage throttle only mode.

To disengage throttle only mode:

1. Place both ERC levers into neutral. Throttle only will not disengage unless the ERC levers are in neutral.
2. Press the THROTTLE ONLY button. The button light will turn off.
3. The neutral lights stop flashing and remain illuminated.

1 Lever

This feature commands both engines with a single lever on a dual engine application. This feature simplifies engine management during rough sea conditions by allowing you to use a single lever to command both engines simultaneously. It is not the same as the system feature called Sync.



1 LEVER button

To engage 1 Lever mode:

1. Place both ERC levers in neutral.
2. Press the 1 LEVER button. The button light will turn on.
3. Place the starboard ERC lever into gear.
4. When the handle is moved, the engines RPM and gear position is synchronized.

To disengage 1 Lever mode:

1. Place both ERC levers in neutral.
2. Press the 1 LEVER button. The button light turns off.

FEATURES AND CONTROLS

Sync

Sync is an automatic engine synchronization feature that is always on unless it is turned off. Sync monitors the position of both ERC levers. When both levers are within 10% of one another, the port engine synchronizes to the starboard engine's RPM. The SmartCraft system will automatically disengage sync after 95% of throttle position range to allow each engine the ability to reach maximum available RPM. Sync cannot engage until the engines are at a minimum speed.

The indicator light on the SYNC button is on when both engines are on. The light is yellow at idle and 95% of throttle and when the engines are not synchronized. The light turns red when the engines are synchronized.



SYNC button

The RPM display of VesselView also shows an orange icon under the RPM numbers if the engines RPMs differ more than 10% of each other, and the icon turns red when they are synchronized.

To disengage sync mode:

1. Place the ERC levers in any detent.
2. Press the SYNC button. The button light turns off.

To engage Sync mode, press the SYNC button at any time.

FEATURES AND CONTROLS

Transfer (Boats equipped with dual helms)

The TRANSFER button allows the boat operator to transfer control of the boat from the active helm to the inactive helm on boats equipped with dual helms. Refer to **Helm Transfer**.



TRANSFER button

HELM TRANSFER

Some boats are designed to allow control of the vessel from more than one location. These locations are commonly referred to as helms or stations. Helm transfer is a term used to describe the method of transferring control from one helm (or station) to another helm.

⚠ WARNING

Avoid serious injury or death from loss of boat control. The boat operator should never leave the active station while engine is in gear. Helm transfer should only be attempted while both stations are manned. One-person helm transfer should only be performed while engine is in neutral.

The helm transfer function allows the boat operator to select which helm is in control of the vessel. Before a transfer can be initiated the ERC levers at the active helm and at the helm intended for the transfer must be in the neutral position.

NOTE: *If you attempt to transfer helm control when the ERC levers are not in neutral, a beep will sound and the helm transfer will not succeed until the levers at the helms are moved to neutral and transfer is requested again.*

Some fault codes may appear on VesselView if other control or navigation functions are attempted after the helm transfer procedure is started. To remove the fault codes it may be necessary to cycle the key switch off and on, and then restart the helm transfer procedure. Ensure that other control and navigation inputs are performed after helm transfer is complete to avoid setting fault codes.

FEATURES AND CONTROLS

NOTICE

The ERC levers must be in neutral to perform a helm transfer. While in neutral your vessel could drift and collide with objects nearby resulting in damage. Keep an adequate look out while performing the helm transfer.

To avoid damage, use extra care when attempting a helm transfer while the vessel is close to docks, piers, or other fixed items or when near other vessels.

REQUESTING HELM TRANSFER

NOTE: Any movement of the ERC levers after pressing the TRANSFER button terminates the helm transfer request. A single beep sounds and the transfer button light turns off signaling the end of the transfer request.

To request the transfer of vessel control from one helm to another:

1. At the helm you are requesting be made active and with the ERC levers in neutral, press the TRANSFER button one time. After the TRANSFER button is pressed, the transfer button light turns on and one beep will sound confirming the impending transfer.



TRANSFER button

NOTE: If the ERC levers at the helms are not in neutral, the neutral lights will flash. Move all the ERC levers to neutral and the neutral light will stop flashing.

2. With the TRANSFER button light and neutral light on, press the TRANSFER button a second time to complete the helm transfer.
3. When the helm transfer is complete, another beep sounds and the transfer button light turns off.

NOTE: If the helm transfer is not completed in 10 seconds, the request is automatically cancelled and a double beep sounds. Control will remain at the existing active helm. Press the TRANSFER button again to restart helm transfer.

4. The helm where the transfer request was initiated is now active and controls the vessel.

FEATURES AND CONTROLS

Shadow Mode Control with CAN Trackpad Features and Operation

TRIPLE ENGINE THROTTLE AND SHIFT OPERATION

Movement of the handles on the remote control allows the boat operator to control the engine throttle speed and gear shift positions of all three engines.

The throttle and shift function is dependant on what engines are running. Refer to the following table.

Port Engine	Center Engine	Starboard Engine	Control Handle Function
Running	Running	Running	Port engine throttle and shift = controlled by port control handle
			Starboard engine throttle and shift = controlled by starboard control handle
			Center engine throttle = average of port and starboard engines
			Center engine shift = neutral unless both engines are in the same gear
Running	Running	Off	Port and center engine throttle and shift = controlled by port control handle
Off	Running	Running	Starboard and center engine throttle and shift = controlled by starboard control handle
Running	Off	Running	Port engine throttle and shift = controlled by port control handle
			Starboard engine throttle and shift = controlled by starboard control handle
Running	Off	Off	Port engine throttle and shift = controlled by port control handle
Off	Off	Running	Starboard engine throttle and shift = controlled by starboard control handle
Off (ignition key switch turned on)	Running	Off (ignition key switch turned on)	Center engine throttle and shift = neutral/idle unless both control handles are in the same gear

FEATURES AND CONTROLS

Turning off one of the outer engines while underway will cause the center engine to go into forced neutral/idle. Operation to the center engine can be restored by moving the control handle of the functioning outer engine back into neutral position and then engaging. The center engine speed and gear shift will then be controlled by the functioning outer engine.

Turning off the center engine while underway will have no effect on the operation of the outer engines.

If a failure should occur while underway which causes one of the outer engines into forced neutral/idle condition, the center engine will also be forced to neutral/idle. Operation to the center engine can be restored by moving the control handle of the functioning outer engine back into neutral and then engaging.

QUAD ENGINE THROTTLE AND SHIFT OPERATION

Movement of the handles on the remote control allows the boat operator to control the engine throttle speed and gear shift positions of all four engines.

The throttle and shift function is dependent on what engines are running. The following table represents the most common quad engine vessel personality for shadow operation.

IMPORTANT: Quad engine vessel personalities may vary on which engines are configured to be the master engines. It is possible to have the center engines as the master and the outer engines configured as the shadow engines. Therefore, the following table does not represent this type of vessel personality.

Port Outer Engine	Port Inner Engine	Starboard Inner Engine	Starboard Outer Engine	Control Handle Function
Running	Running	Running	Running	Port inner and outer engines throttle and shift = controlled by port control handle
				Starboard inner and outer engines throttle and shift = controlled by starboard control handle
Running	Running	Off	Off	Port inner and outer engines throttle and shift = controlled by port control handle
Off	Off	Running	Running	Starboard inner and outer engines throttle and shift = controlled by starboard control handle

FEATURES AND CONTROLS

Port Outer Engine	Port Inner Engine	Starboard Inner Engine	Starboard Outer Engine	Control Handle Function
Off (ignition key switch turned on)	Running	Running	Running	Port inner engine throttle and shift = controlled by port control handle
Running	Running	Running	Off (ignition key switch turned on)	Starboard inner engine throttle and shift = controlled by starboard control handle
Off (ignition key switch turned off)	Running	Running	Running	Port inner engine throttle and shift = controlled by starboard control handle
Running	Running	Running	Off (ignition key switch turned off)	Starboard inner engine throttle and shift = controlled by port control handle
Running	Off	Off	Running	Port outer engine throttle and shift = controlled by port control handle
				Starboard outer engine throttle and shift = controlled by starboard control handle
Off (ignition key switch turned on)	Running	Running	Off (ignition key switch turned on)	Port inner engine throttle and shift = controlled by port control handle
				Starboard inner engine throttle and shift = controlled by starboard control handle

Turning off the starboard outer engine while underway will cause the starboard inner engine to go into forced neutral/idle. Operation to the inner engine can be restored by turning the starboard outer engine ignition key to the on position and moving the starboard control handle back into neutral position and then into gear. The inner engine speed and gear shift will then be controlled by the starboard control handle.

Turning off the port outer engine while underway will cause the port inner engine to go into forced neutral/idle. Operation to the inner engine can be restored by turning the port outer engine ignition key to the on position and moving the port control handle back into neutral position and then into gear. The inner engine speed and gear shift will then be controlled by the port control handle.

FEATURES AND CONTROLS

Turning off one of the inner engines while underway will have no effect on the operation of the outer engines.

If a failure should occur while underway which causes the starboard outer engine into forced neutral/idle condition, the inner starboard engine will also be forced to neutral/idle. Operation to the inner engine can be restored by moving the starboard control handle back into neutral and then into gear.

If a failure should occur while underway which causes the port outer engine into forced neutral/idle condition, the inner port engine will also be forced to neutral/idle. Operation to the inner engine can be restored by moving the port control handle back into neutral and then into gear.

Hot Foot

REQUIREMENTS FOR OPERATION OF A HOT FOOT

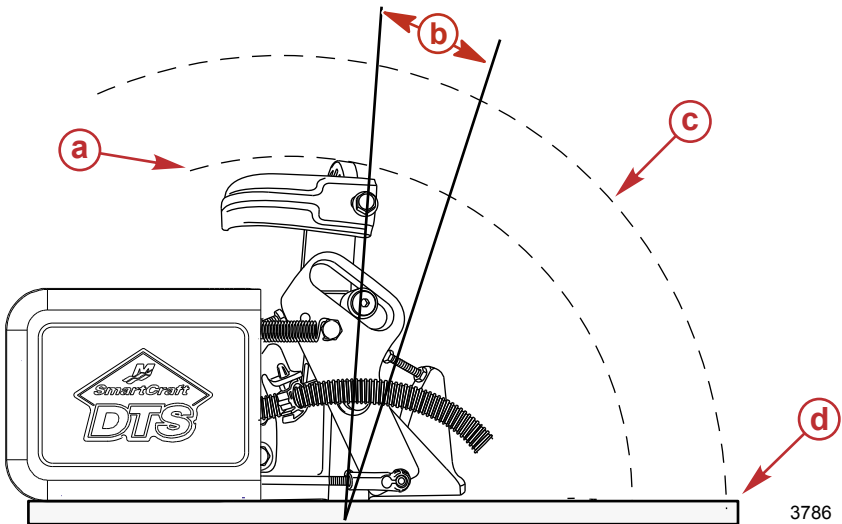
Engine speed is controlled from idle to WOT by either the foot throttle or the panel mount control handle. Hot foot throttle operation requires the DTS system be set up with a switch that can turn the hot foot throttle control off or on. This will allow the boat operator to select the throttle operation through the electronic remote control assembly or through the hot foot control assembly.

FEATURES AND CONTROLS

DTS HOT FOOT OPERATION

DTS Hot Foot

DTS hot foot operation use is unique and is generally used on boats that can reach significant speeds. The use of a hot foot allows the operator to keep both hands on the steering wheel at all speeds, which allows the operator a greater control of the boat.



- a** - Pedal radius—241 mm (9.5 in.)
- b** - Maximum pedal travel—30°
- c** - Required added clearance for shoe
- d** - Boat deck

Hand and Foot Control Operation with Hand Throttle On/Off Switch

1. Engine speed is controlled from idle to WOT by either the foot throttle or the panel mount control handle.
2. **The default setting when the engine is started:**
 - a. Throttle control at the foot throttle.
 - b. The hand throttle indicator light is off.
3. **To transfer throttle control to the panel mount remote control handle:**
 - a. Place the throttle control handle in neutral or in the forward/reverse detent position.
 - b. Push the hand throttle on/off switch button.
 - c. A single horn beep will sound.
 - d. The hand throttle indicator light is on.

FEATURES AND CONTROLS

e. Throttle control at the panel mount remote control handle.

NOTE: If the transfer fails, a double horn beep will sound.

4. To return throttle control to the foot throttle:

a. Place the throttle control handle in neutral or in the forward/reverse detent position.

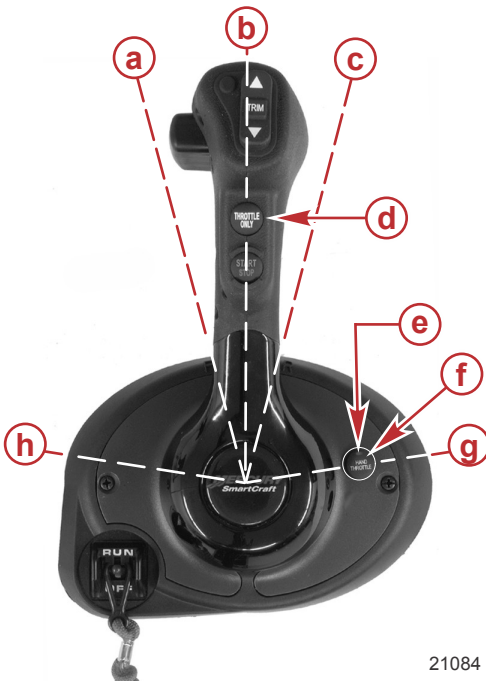
b. Push the hand throttle on/off switch button.

c. A single horn beep will sound.

d. The hand throttle indicator light is off.

e. Throttle control at the foot throttle.

NOTE: If the transfer fails, a double horn beep will sound.



- a** - Forward detent position
- b** - Neutral detent position
- c** - Reverse detent position
- d** - Throttle only button
- e** - Hand throttle indicator light
- f** - Hand throttle on/off switch button
- g** - Full reverse position
- h** - Full forward position

21084

FEATURES AND CONTROLS

Zero Effort Controls

Zero Effort controls allow the operator to control the shifting and throttle with separate control handles. Zero Effort controls are available in single, and multiengine applications including shadow mode operation.



58266

Warning System

WARNING HORN SIGNALS

When the key switch is turned to the ON position, the horn will turn on for a moment as a test to indicate the horn is working.

There are two types of warning horns to alert the operator of an active problem within the engine's operating system.

1. **Continuous six second beep:** Indicates a critical engine condition. Depending on the condition, the Engine Guardian system may engage and protect the engine by limiting power. You should return to port immediately and contact your servicing dealer.
2. **Intermittent short beeps for six seconds:** Indicates a noncritical engine condition. This condition does not require immediate attention. You may continue using your boat, however, depending on the nature of the problem, the engine's power may be limited by the Engine Guardian system. Refer to **Engine Guardian System**. You should contact your servicing dealer at your earliest convenience.

It is important to note that in either of the above scenarios, the horn will only sound one time. If you key the engine off and restart it, the horn will sound again, one time, if the fault is still present. For visual display of the specific engine functions and additional engine data, refer to **SmartCraft Product**.

A few of the noncritical conditions indicated by the intermittent short beeps for six seconds can be corrected by the operator. These operator correctable conditions are as follows:

FEATURES AND CONTROLS

- Water in the vessel mounted fuel filter. Refer to **Maintenance - Vessel Mounted Water-Separating Fuel Filter**.
- Cooling system (water pressure or engine temperature) problem. Stop the engine and check the water intake holes in the lower unit for obstruction.
- Low engine oil level. Refer to **Fuel and Oil - Checking and Adding Engine Oil**.

ENGINE GUARDIAN SYSTEM

The Engine Guardian system monitors the critical sensors on the engine for any early indications of problems. Engine Guardian is functional whenever your engine is operating, so you never have to be concerned about whether or not you are protected. The system will respond to a problem by sounding the warning horn for six seconds and/or reducing engine power in order to provide engine protection.

If Engine Guardian has been activated, reduce the engine speed. The problem will need to be identified and corrected. The system must be reset before the engine will operate at higher speeds. Moving the throttle lever back to the idle position will reset the Engine Guardian system. If the Engine Guardian system has determined the reset has not corrected the problem, Engine Guardian will remain activated, limiting the throttle. The problem must be identified and corrected before Engine Guardian will allow the engine to reach a normal operating RPM.

OVERSPEED REV LIMIT

The overspeed rev limit is set at an RPM greater than the operating range. In the event that the engine is operated at an RPM greater than or equal to the overspeed limit, the PCM does not allow the engine to maintain the power requested by the operator. Refer to **Specifications** to determine this engine's RPM limit.

Upon reaching the beginning of the rev limit, Engine Guardian will reduce the throttle plate opening. There is no audible warning while Engine Guardian overspeed limit is active.

To reset the Engine Guardian protection:

1. Completely reduce the throttle for three seconds.
2. Engage the throttle. If the engine does not respond, repeat step one.

SMARTCRAFT PRODUCT

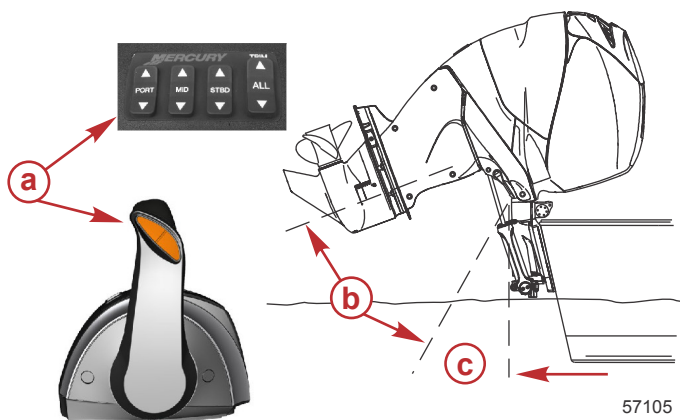
A Mercury SmartCraft System instrument package can be purchased for this outboard. A few of the functions the instrument package will display are engine RPM, coolant temperature, oil pressure, water pressure, battery voltage, fuel consumption, and engine operating hours.

The SmartCraft instrument package will also aid in Engine Guardian diagnostics. The SmartCraft instrument package will display critical engine alarm data and potential problems.

FEATURES AND CONTROLS

Power Trim and Tilt

The outboard has a trim/tilt control called power trim. This enables the operator to easily adjust the position of the outboard by pressing the trim switch. Moving the outboard in closer to the boat transom is called trimming in or trimming down. Moving the outboard further away from the boat transom is called trimming out or trimming up. The term trim generally refers to the adjustment of the outboard within the first 20° range of travel. This is the range used while operating the boat on plane. The term tilt is generally used when referring to adjusting the outboard further up out of the water. With the engine not running and the key switch in the ON position, the outboard can be tilted out of the water. At speeds below 4300 RPM, the outboard can be tilted up past the normal trim range.



- a** - Trim switch
- b** - Tilt range of travel
- c** - Trim range of travel

POWER TRIM OPERATION

With most boats, operating around the middle of the trim range will give satisfactory results. However, to take full advantage of the trimming capability there may be times when you choose to trim the outboard all the way in or out. Along with an improvement in some performance aspects comes a greater responsibility for the operator, this being an awareness of some potential control hazards.

Consider the following lists carefully:

1. Trimming in or down can:
 - Lower the bow.
 - Result in quicker planing off, especially with a heavy load or a stern heavy boat.

FEATURES AND CONTROLS

- Generally improve the ride in choppy water.
- In excess, can lower the bow of some boats to a point where they begin to plow with their bow in the water while on plane. This can result in an unexpected turn in either direction (called bow steering or oversteering) if any turn is attempted, or if a significant wave is encountered.

WARNING

Operating the boat at high speeds with the outboard trimmed too far under can create excessive bow steer, resulting in the operator losing control of the boat. Install the trim limit pin in a position that prevents excessive trim under and operate the boat in a safe manner.

2. Trimming out or up can:
 - Lift the bow higher out of the water.
 - Generally increase top speed.
 - Increase clearance over submerged objects or a shallow bottom.
 - In excess, can cause boat porpoising (bouncing) or propeller ventilation.
 - Cause engine overheating if any cooling water intake holes are above the waterline.

TILTING TO FULL UP POSITION

Tilt at Helm

NOTE: *The trim/tilt switch will remain active for 15 minutes after the ignition key switch has been turned off.*

1. If the ignition key switch has been turned off for over 15 minutes, turn it to the "ON" position.
2. Press the trim/tilt switch to the up position. The outboard will tilt up until the switch is released or it reaches its maximum tilt position.

Tilt at Engine

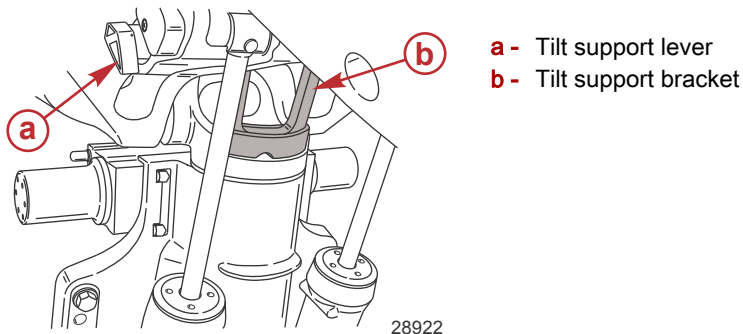
The cowl mounted auxiliary tilt switch can be used to tilt the outboard with the key switch in the "OFF" position.

Tilt Support Lever

1. Rotate the tilt support lever down.
2. Lower outboard until tilt support bracket rests on the pedestal.

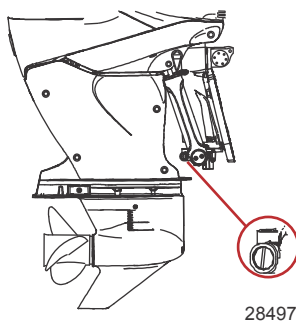
FEATURES AND CONTROLS

3. Disengage the tilt support bracket, by raising the outboard up and rotating the tilt support lever up. Lower the outboard.



MANUAL TILTING

If the outboard cannot be tilted using the power trim/tilt switch, the outboard can be manually tilted.



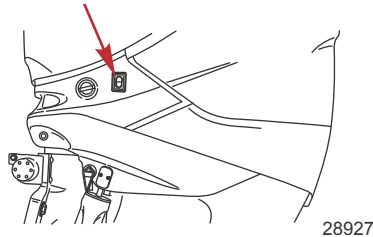
NOTE: The manual tilt release valve must be tightened before operating the outboard to prevent the outboard from tilting up during reverse operation.

Turn out the manual tilt release valve three turns counterclockwise. This allows manual tilting of the outboard. Tilt the outboard to the desired position and tighten the manual tilt release valve.

FEATURES AND CONTROLS

AUXILIARY TILT SWITCH

The auxiliary tilt switch can be used to tilt the outboard up or down using the power trim system.



SHALLOW WATER OPERATION

When operating your boat in shallow water, you can tilt the outboard beyond the maximum trim range to prevent hitting bottom.

1. Reduce engine speed below 4300 RPM.
2. Tilt outboard up. Make sure all the water intake holes stay submerged at all times.
3. Operate the engine at slow speed only. With the outboard tilted past 20° trim limit, the warning horn will sound and engine speed will be automatically limited to approximately 4300 RPM. The outboard must be tilted (trimmed) down below the maximum trim range to allow operation above 4300 RPM.

OPERATION

Important Daily Inspection Before Each Use

Any outboard mounted on the boat must have the mounting hardware inspected and checked to ensure that the hardware has not become loose. A decal on the transom bracket reminds the owner to check the fasteners securing the outboard to the transom before each use.



Decal on the transom bracket

Prestarting Check List

- Operator knows safe navigation, boating, and operating procedures.
- An approved personal flotation device of suitable size for each person aboard and readily accessible (it is the law).
- A ring type life buoy or buoyant cushion designed to be thrown to a person in the water.
- Know your boats' maximum load capacity. Look at the boat capacity plate.
- Fuel supply OK.
- Arrange passengers and load in the boat so the weight is distributed evenly and everyone is seated in a proper seat.
- Tell someone where you are going and when you expect to return.
- It is illegal to operate a boat while under the influence of alcohol or drugs.
- Know the waters and area you will be boating; tides, currents, sand bars, rocks, and other hazards.
- Make inspection checks listed in **Maintenance - Inspection and Maintenance Schedule**.

OPERATION

Operating in Freezing Temperatures

When using your outboard or having your outboard moored in freezing or near freezing temperatures, keep the outboard tilted down at all times so the gearcase is submerged. This prevents the trapped water in the gearcase from freezing and causing possible damage to the water pump and other components.

If there is a chance of ice forming on the water, the outboard should be removed and drained completely of water. If ice should form at the water level inside the outboard driveshaft housing, it will block water flow to the engine causing possible damage.

Operating in Saltwater or Polluted Water

We recommend that you flush the internal water passages of your outboard with fresh water after each use in salt or polluted water. This will prevent a buildup of deposits from clogging the water passages. Refer to **Maintenance - Flushing the Cooling System**.

If you keep your boat moored in the water, always tilt the outboard so the gearcase is completely out of water (except in freezing temperatures) when not in use.

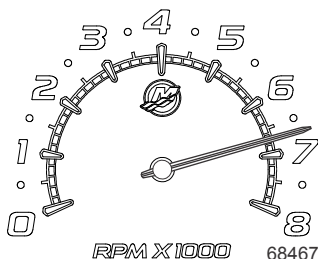
Wash the outboard exterior and flush out the exhaust outlet of the propeller and gearcase with fresh water after each use. Each month, spray Mercury Precision or Quicksilver Corrosion Guard on external metal surfaces. Do not spray on corrosion control anodes as this will reduce the effectiveness of the anodes.

Operating at High Elevations

Your engine automatically compensates for high elevation changes. A different pitch propeller may help reduce some normal performance loss resulting from reduced oxygen in the air. Consult your dealer.

Propeller Selection

For best all around performance from your outboard/boat combination, select a propeller that allows the engine to operate in the upper half of the recommended full throttle RPM range with the boat normally loaded (refer to **General Information - Specifications**). This RPM range allows for better acceleration while maintaining maximum boat speed.



OPERATION

If changing conditions cause the RPM to drop below the recommended range, such as warmer, more humid weather, operation at higher elevations, increased boat load, or a dirty boat bottom/gearcase, a propeller change or cleaning may be required to maintain performance and ensure the outboards durability.

Check full-throttle RPM, using an accurate tachometer, with the engine trimmed out to a balanced-steering condition (steering effort equal in both directions) without causing the propeller to break loose.

Effects of Elevation and Weather on Performance

The following conditions may lower engine performance if the electronic management system is unable to compensate:

- Above sea level elevations
- High temperature
- Low barometric pressure
- High humidity

These conditions above reduce air density to the engine, which may lower the following:

- Boost pressure on supercharged engines
- Horsepower and torque throughout the RPM range
- Peak RPM
- Cranking compression

EXAMPLE: An engine running at an elevation of 8,000 feet will have over a 30% power loss while a loss of engine power on a hot and humid day could be as much as 14%. These losses apply to normally aspirated engines and may apply to supercharged engines.

Compensating for power robbing conditions:

- Switch to lower pitch propeller
- Change gear ratio

Some boat performance can be improved by dropping to a lower pitch propeller, but engine performance will still remain lower. In some cases, a gear ratio reduction may be more beneficial. To optimize engine performance, prop the engine to allow it to operate at or near the top end of the recommended maximum RPM range at wide-open throttle with a normal boat load.

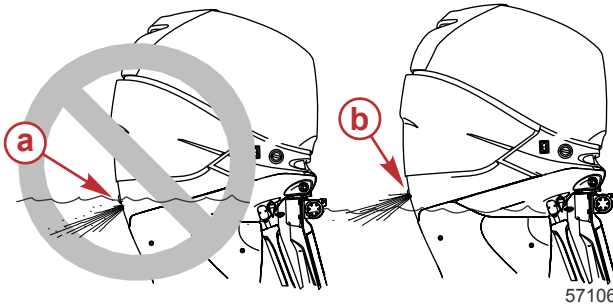
Other advantages to propeller changes:

- Enhances overall reliability and durability of the engine

OPERATION

Setting Trim Angle While Running Engine at Idle Speed

The exhaust relief hole on the outboard can become submerged on some boats if the engine is trimmed full in while running at idle speed. This may result in exhaust restriction, rough idle, excessive smoke, and fouled spark plugs. If this condition exists, trim outboard up until exhaust relief hole is out of the water.



- a - Relief hole submerged (wrong)
- b - Relief hole above waterline (correct)

Engine Break-in Procedure

IMPORTANT: Failure to follow the engine break-in procedures can result in poor performance throughout the life of the engine and can cause engine damage. Always follow break-in procedures.

1. For the first two hours of operation, run the engine at varied throttle settings up to 4500 RPM or at three-quarter throttle, and at full throttle for approximately one minute every ten minutes.
2. For the next eight hours of operation, avoid continuous operation at full throttle for more than five minutes at a time.

Fuel Supply Module Priming Procedure

The fuel supply module (FSM) is not vented to the ambient air. The air trapped in the FSM, fuel lines, and fuel rail, will be slightly compressed during the initial ignition key "ON" with a dry or drained fuel system. Additional key "ON" events under these conditions, will not compress the air further to finish the priming of the FSM. Excessive number of key "ON" events may eventually damage the fuel pumps. The volume of air trapped in the FSM must be purged to prime the fuel system. This can be achieved by connecting a tool to the fuel rail Schrader valve fitting to quickly purge the system into an approved container, or by cranking the engine.

OPERATION

PRIMING THE FSM WITH A PURGE TOOL

The use of a purge tool for priming the FSM is the preferred method, but is not always practical. The objective is to purge the air entrained in the fuel system through a purge tool connected to the fuel rail Schrader valve test port. During the key "ON," opening the dump valve will allow the air to be purged from the FSM and fuel rail. This method should be used on vessels where the fuel inlet system to the outboard is restrictive; anti-siphon valve or holds a relatively large volume of fuel because of a long fuel supply line or water separating fuel filter. If a primer bulb is installed, it can be used during the priming event to shorten the amount of time required to start the engine.

1. Verify the engine is in a level vertical position.
2. Verify the vessel fuel supply line is connected to the outboard fuel system inlet fitting.
3. Connect a fuel pressure gauge to the fuel rail Schrader valve.
4. Secure the fuel pressure gauge purge hose into an appropriate fuel container to collect excess fuel.
5. Open the fuel pressure gauge purge valve and turn the ignition key "ON." The fuel pumps will run for approximately five seconds.
6. Turn the ignition key "OFF" and then back "ON." The fuel pumps will run for approximately five seconds. Continue this ignition key cycle until the purged fuel is relatively clear of air bubbles.

NOTE: *If the outboard fuel system does not prime within 15 key "ON" events, check for leaks in the fuel supply line to the outboard. Repair as needed. If no leak is found, the fuel supply system to the outboard may be too restrictive. Correct the condition and try again.*

7. Remove the fuel pressure gauge.
8. Turn the ignition key "ON." When the fuel pumps stop running, start the engine. The engine may not start on the first attempt. The engine will run rough at idle for up to two minutes while the residual air is purged from the fuel system.

PRIMING THE FSM (RAN OUT OF FUEL CONDITION)

The use of a purge tool for priming the FSM is the preferred method, but is not always practical. When the vessel fuel system is void of fuel volume, it can be primed without the use of a purge tool. The objective is to purge the air entrained in the fuel system through the fuel injectors during engine cranking to allow fuel to enter the fuel module. This method can be used on vessels where the fuel inlet system to the outboard is less restrictive and holds a relatively small volume of fuel; a short fuel supply line, no water separating fuel filter, or water separating fuel filter is already primed. If a primer bulb is installed, it can be used during the priming event to shorten the amount of time required to start the engine.

1. Verify the engine is in a level vertical position.
2. Verify the vessel fuel supply line is connected to the outboard fuel system inlet fitting.

OPERATION

3. Turn the ignition key "ON." The fuel pumps will run for approximately five seconds.
4. Turn the ignition key to the "START" position and release the key. The ECM controls the activation of the starter. The starter may continue cranking for up to eight seconds.

NOTE: When priming a drained fuel system, residual fuel may cause the engine to flare and stall which shortens the engine cranking event.

5. Continue with the ignition key "ON" and "START" sequence until the engine continues to run.

IMPORTANT: Allow the starter motor to cool for 20 to 30 seconds between full eight second crank events. Limit the number of events to a maximum of 10 full eight second cranking events.

6. Once the engine starts, it may run rough at idle for up to two minutes while the residual air is purged from the fuel system.
7. If the fuel system will not prime within 10 full eight second cranking events, use the previous procedure **Priming the FSM with a Purge Tool** to prime the fuel system.

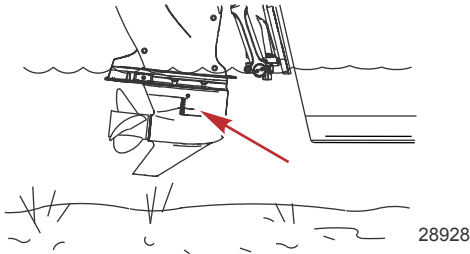
Starting the Engine

Before starting, read the **Prestarting Check List**, special operating instructions, **Engine Break-in Procedure**, **Gear Shifting**, and the remote control features and operation in the **Features and Controls** section.

NOTICE

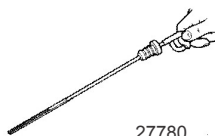
Without sufficient cooling water, the engine, the water pump, and other components will overheat and suffer damage. Provide a sufficient supply of water to the water inlets during operation.

1. Verify the cooling water intake is submerged.

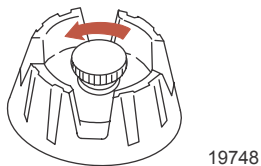


OPERATION

2. Check the engine oil level.

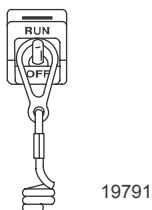


3. Open the fuel tank vent on manual venting type tanks.



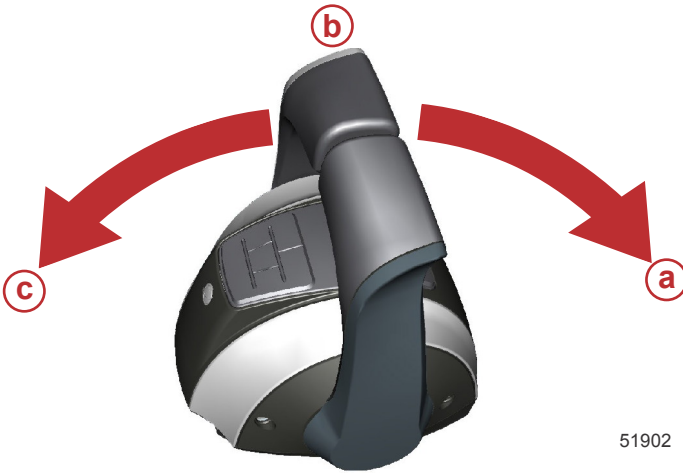
4. Set the lanyard stop switch to the RUN position. Refer to **General Information - Lanyard Stop Switch**.

NOTE: The engine will not start unless the lanyard switch is set to the RUN position.



OPERATION

- Shift the outboard to neutral (N) position.

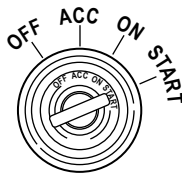


51902

- a - Forward
- b - Neutral
- c - Reverse

NOTE: For initial start of a new engine or for an engine that ran out of fuel, refer to **Fuel Supply Module Priming Procedure**.

- Ignition key starting - Turn the ignition key to the START position and release the key. The electronic starting system will automatically crank the engine for starting. If the engine fails to start, the engine will stop cranking. Turn the key to the START position again until the engine starts.



3485

- After the engine starts, check for a steady stream of water flowing out of the water pump indicator hole.

IMPORTANT: If no water is coming out of the water pump indicator hole, stop the engine and check the cooling water intake for obstruction. No obstruction may indicate a water pump failure or blockage in the cooling system. These conditions will cause the engine to overheat. Have the outboard checked by your dealer. Operating the engine while overheated will cause engine damage.

OPERATION

Gear Shifting

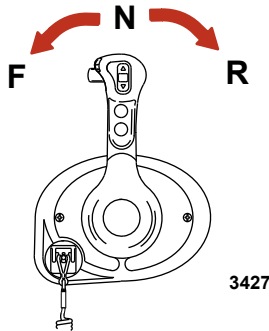
IMPORTANT: Observe the following:

- **Never shift the outboard into or out of gear unless the engine speed is at idle. Shifting at higher than engine idle speed could cause damage to the gearcase.**
- **Do not shift the outboard into reverse when the forward motion of the boat is greater than a no wake speed. Shifting into reverse at higher boat speeds could cause the engine to stall, and in some situations, this could cause water to be drawn into the cylinders, resulting in severe engine damage.**
- **Do not shift the outboard into reverse when the engine is not running. Damage to the shift linkage could occur.**
- The outboard has three gear shift positions: forward (F), neutral (N), and reverse (R).
- When shifting, always stop at the neutral position and allow the engine idle speed to stabilize before shifting into another gear.
- Always shift the outboard into gear with a quick motion.
- After shifting the outboard into gear, advance the lever further to increase speed.

DTS PANEL MOUNT REMOTE CONTROL

IMPORTANT: Never shift outboard into gear unless engine speed is at idle. Do not shift outboard into forward or reverse when the engine is not running.

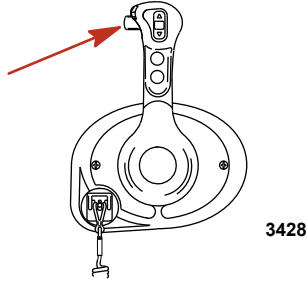
- The outboard has three gear shift positions to provide operation: Forward (F), Neutral (N), and Reverse (R).



- When shifting, always stop at neutral position and allow the engine speed to return to idle.

OPERATION

- Panel mount remote control requires the operator to always press shift lock while moving the control handle out of the neutral position.

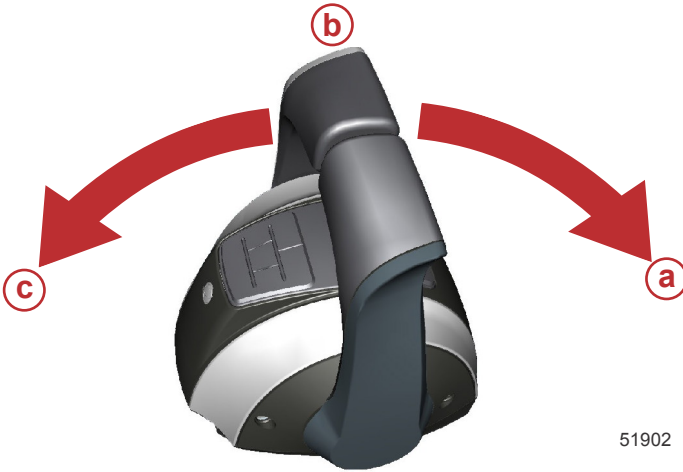


- Advance the control lever to further increase speed.

DTS CONSOLE MOUNT REMOTE CONTROL

IMPORTANT: Never shift the outboard into gear unless the engine speed is at idle. Do not shift the outboard into forward or reverse when the engine is not running.

- The outboard has three gear shift positions to provide operation: forward, neutral, and reverse.



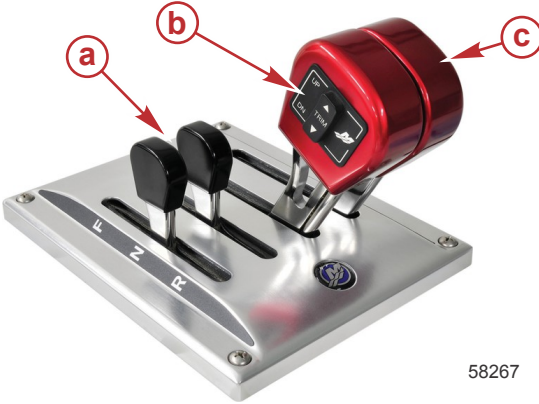
- a** - Forward
- b** - Neutral
- c** - Reverse

- When shifting, always stop at neutral position and allow the engine speed to return to idle.
- Advance the control lever to further increase speed.

OPERATION

ZERO EFFORT CONTROL GEAR SHIFTING

1. Verify the throttle lever is at the idle position.
2. Move the shift lever forward or reverse.
3. Advance the throttle lever to apply power.



58267

- a** - Shift levers in neutral position
- b** - Trim switch
- c** - Throttle levers at the idle position

Stopping the Engine

IMPORTANT: Turning key to the **START** position while the engine is running will result in engine shut down, while leaving the DTS system active. This will allow the use of the power trim/tilt from the remote control handle.

Reduce engine speed and shift outboard to neutral position. Turn ignition key to OFF position.



3482

MAINTENANCE

Cleaning Care Recommendations

OUTBOARD CARE

To keep your outboard in the best operating condition, it is important that your outboard receive the periodic inspections and maintenance listed in the **Inspection and Maintenance Schedule**. We urge you to keep it maintained properly to ensure the safety of you and your passengers, and retain its dependability.

Record maintenance performed in the **Maintenance Log** at the back of this book. Save all maintenance work orders and receipts.

Selecting Replacement Parts For Your Outboard

We recommend using original Mercury Precision or Quicksilver replacement parts and Genuine Lubricants.

DO NOT USE CAUSTIC CLEANING CHEMICALS

IMPORTANT: Do not use caustic cleaning chemicals on the outboard power package. Some cleaning products contain strong caustic agents such as hull cleaners with hydrochloric acid. These cleaners can degrade some of the components they come in contact with including critical steering fasteners.

Damage to steering fasteners may not be obvious during visual inspection and this damage may lead to catastrophic failure. Some caustic cleaning chemicals may cause or accelerate corrosion. Exercise caution when using cleaning chemicals around the engine and follow the recommendations on the packaging of the cleaning product.

CLEANING GAUGES

IMPORTANT: Never use high-pressure water to clean gauges.

Routine cleaning of the gauges is recommended to prevent a buildup of salt and other environmental debris. Crystalized salt can scratch the gauge display lens when using a dry or damp cloth. Ensure that the cloth has a sufficient amount of fresh water to dissolve and remove salt or mineral deposits. Do not apply aggressive pressure on the display lens while cleaning.

When water marks cannot be removed with a damp cloth, mix a 50/50 solution of warm water and isopropyl alcohol to clean the display lens. **Do not use** acetone, mineral spirits, turpentine type solvents, or ammonia based cleaning products. The use of strong solvents or detergents may damage the coating, the plastics, or the rubber keys on the gauges. If the gauge has a sun cover available, it is recommended that the cover be installed when the unit is not in use to prevent UV damage to the plastic bezels and rubber keys.

CLEANING REMOTE CONTROLS

IMPORTANT: Never use high-pressure water to clean remote controls.

MAINTENANCE

Routine cleaning of the remote control external surfaces is recommended to prevent a buildup of salt and other environmental debris. Use a cloth towel which has a sufficient amount of fresh water to dissolve and remove salt or mineral deposits.

When water marks cannot be removed with a damp cloth, mix a 50/50 solution of warm water and isopropyl alcohol to clean the remote control. **Do not use** acetone, mineral spirits, turpentine type solvents, or ammonia based cleaning products. The use of strong solvents or detergents may damage the coating, the plastics, or the rubber components on the remote control.

CLEANING CARE FOR TOP AND BOTTOM COWLS


IMPORTANT: Dry wiping (wiping the plastic surface when it is dry) will result in minor surface scratches. Always wet the surface before cleaning. Do not use detergents containing hydrochloric acid. Follow the cleaning and waxing procedure.

Cleaning and Waxing Procedure

1. Before washing, rinse the cowls with clean water to remove dirt and dust that may scratch the surface.
2. Wash the cowls with clean water and a mild nonabrasive soap. Use a soft clean cloth when washing.
3. Dry thoroughly with a soft clean cloth.
4. Wax the surface using a nonabrasive automotive polish (polish designed for clear coat finishes). Remove the applied wax by hand using a clean soft cloth.
5. To remove minor scratches, use Mercury Marine Cowl Finishing Compound (92-859026K 1).

CLEANING CARE FOR THE POWERHEAD (SALTWATER USE)

IMPORTANT: If the outboard is operated in saltwater, remove the top cowl. Inspect the powerhead and powerhead components for salt build-up. Wash off any salt build-up from the powerhead and powerhead components with fresh water. Keep water spray out of the air filter/intake and alternator. After washing, allow the powerhead and components to dry. Apply Quicksilver or Mercury Precision Lubricants Corrosion Guard spray on the external metal surfaces of the powerhead and powerhead components. Do not allow the Corrosion Guard spray to come in contact with the alternator drive belt, belt pulleys, or the outboard motor mounts. The alternator drive belt could slip and be damaged if it becomes coated with any lubricant or Corrosion Guard spray.

Tube Ref No.	Description	Where Used	Part No.
 120	Corrosion Guard	External metal surfaces of the powerhead and powerhead components.	92-802878 55

MAINTENANCE

EPA Emissions Regulations

All new outboards manufactured by Mercury Marine are certified to the United States Environmental Protection Agency, as conforming to the requirements of the regulations for the control of air pollution from new outboard motors. This certification is contingent on certain adjustments set to factory standards. For this reason, the factory procedure for servicing the product must be strictly followed and, wherever practicable, returned to the original intent of the design.

Maintenance, replacement, or repair of the emission control devices and systems may be performed by any marine spark ignition (SI) engine repair establishment or individual.

EMISSION CERTIFICATION LABEL

An emission certification label, showing emission levels and engine specifications directly related to emissions, is placed on the engine at the time of manufacture.

MERCURY		EMISSION CONTROL INFORMATION	
THIS ENGINE CONFORMS TO <input type="checkbox"/> CALIFORNIA AND U.S. EPA EMISSION REGULATIONS FOR SPARK IGNITION MARINE ENGINES			
REFER TO OWNERS MANUAL FOR REQUIRED MAINTENANCE, SPECIFICATIONS, AND ADJUSTMENTS			
IDLE SPEED (in gear): <input type="text"/>		FAMILY: <input type="text"/>	
<input type="text"/> hp	<input type="text"/> L	HC+NOx:FEL: <input type="text"/> g/kWh	
<input type="text"/> kw		CO FEL: <input type="text"/> g/kWh	
<input type="text"/>	SPARK PLUG: GAP: <input type="text"/>		<input type="text"/>
LOW PERM/HIGH PERM: <input type="text"/>			

43210

- a - Idle speed
- b - Engine horsepower
- c - Piston displacement
- d - Engine power - kilowatts
- e - Date of manufacture
- f - US EPA engine family name
- g - Regulated emission limit for the engine family
- h - Regulated emission limit for the engine family
- i - Recommended spark plug and gap
- j - Percent of fuel line permeation

OWNER RESPONSIBILITY

The owner/operator is required to have routine engine maintenance performed to maintain emission levels within prescribed certification standards.

The owner/operator is not to modify the engine in any manner that would alter the horsepower or allow emission levels to exceed their predetermined factory specifications.

MAINTENANCE

Inspection and Maintenance Schedules

BEFORE EACH USE

- Check the engine oil level.
- Check that the lanyard stop switch stops the engine.
- Check the outboard for tightness to the boat transom. If any looseness of the outboard or mounting fasteners exists, tighten the outboard mounting fasteners to 75 Nm (55.3 lb-ft).
- Visually inspect the fuel system for deterioration or leaks.
- Check the steering system for binding or loose components.
- Visually check power steering fittings and hoses for leaks or signs of damage. Check tie bar fasteners (multiple outboard rigs) for proper tightness.
- Check the propeller blades for damage.

AFTER EACH USE

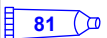
- Flush the outboard cooling system if operating in salt or polluted water.
- Wash off all salt deposits and flush the exhaust outlet of the propeller and gearcase with fresh water if operating in saltwater.

EVERY 100 HOURS OF USE, OR ONCE YEARLY, WHICHEVER OCCURS FIRST

- Change the engine oil and replace the oil filter. The oil should be changed more often when the engine is operated under adverse conditions such as extended trolling.
- Inspect the hoses for cracks, chafe, and leaks. Replace as necessary.
- Check the outboard for tightness to the boat transom. If any looseness of the outboard or mounting fasteners exists, tighten the outboard mounting fasteners to 75 Nm (55.3 lb-ft). This item should be serviced by an authorized dealer.
- Remove or replace the in-line fuel filter sleeve.
- Inspect the accessory drive belt. Replace the accessory drive belt on the 400 HP model.
- Inspect the thermostat for corrosion and for a broken spring. Verify the thermostat closes completely at room temperature. This item should be serviced by an authorized dealer.
- Replace the vessel mounted fuel filter.
- Check the corrosion control anodes. Check more frequently when used in saltwater.
- Drain and replace the gearcase lubricant.
- Check the power steering fluid.
- Inspect the battery.

MAINTENANCE

- Saltwater usage: Remove and inspect the spark plugs for corrosion and replace the spark plugs as necessary. Apply Anti-Seize Compound only on the threads of the spark plug prior to installation.

Tube Ref No.	Description	Where Used	Part No.
 81	Anti-Seize Compound	Spark plug threads	92-898101389

- Check the wiring and connectors.
- Check the tightness of the bolts, nuts, and other fasteners.
- Check the cowl seals to make sure the seals are intact and not damaged.
- Check the internal cowl sound reduction foam (if equipped) to ensure that the foam is intact and not damaged.
- Check that the intake silencer (if equipped) is in place.
- Check that the idle relief muffler (if equipped) is in place.
- Check for loose hose clamps and rubber boots (if equipped) on the air intake assembly.

EVERY 300 HOURS OF USE, OR THREE YEARS

IMPORTANT: To avoid oil spillage, the engine oil must be drained before removing the gearcase. Perform the scheduled water pump replacement in combination with an engine oil change.

- Replace the water pump impeller (more often if overheating occurs or reduced water pressure is noted). This item should be serviced by an authorized dealer.
- Check the power trim fluid.
- Replace the high-pressure in-line fuel filter. This item should be serviced by an authorized dealer.
- Replace the spark plugs at the first 300 hours or three years. After that, inspect the spark plugs every 300 hours or three years. Replace the spark plugs as needed.
- Replace the accessory drive belt.
- Inspect the front engine mounts for cracks. Replace both mounts if either does not pass inspection. This item should be serviced by an authorized dealer.
- Check the trim wear pads. Replace the wear pads if the mounting screws are flush with the wear pad.

Every 600 Hours of Use—400 HP Model Only

- Check the valve lash. This item should be performed by an authorized dealer.

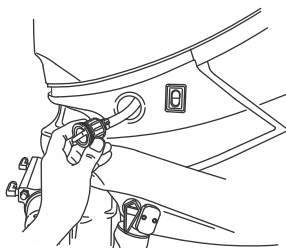
MAINTENANCE

Flushing the Cooling System

Flush the internal water passages of the outboard with fresh water after each use in salt, polluted, or muddy water. This will help prevent a buildup of deposits from clogging the internal water passages.

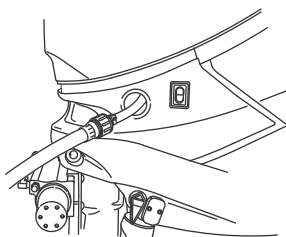
NOTE: *The outboard can be tilted or in the vertical operating position during flushing.*

1. With the engine turned off, place the outboard in either the operating position (vertical) or in a tilted position.
2. Disconnect the flush connector from the fitting on the bottom cowl.



28726

3. Thread a water hose into the flush fitting.



28727

4. Turn on the water tap (1/2 maximum) and let the water flush through the cooling system for about 15 minutes.
5. When flushing is complete, turn off water and disconnect the water hose.
6. Install the flushing connector to the fitting on the bottom cowl. Tighten the connector securely.

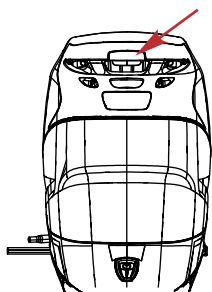
Cowl Removal and Installation

COWL REMOVAL

IMPORTANT: Most maintenance points are accessible by removing the top cowl only.

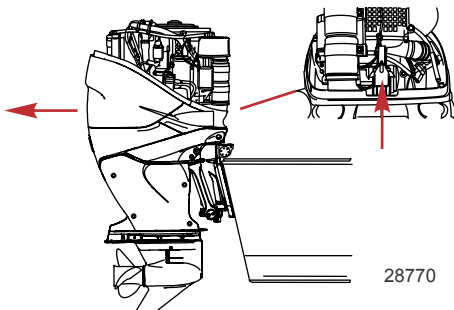
MAINTENANCE

1. Pull up on the top cowl lock latch.



28946

2. Pull top cowl forward and lift off.
3. Pull lower cowl release latch up.
4. Remove rear cowl towards aft of outboard.



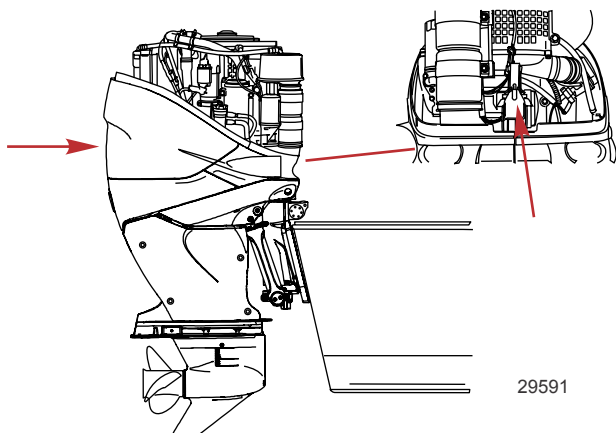
28770

COWL INSTALLATION

1. Position lower cowl from aft side of outboard. Make sure it fits properly in the rubber seal.

MAINTENANCE

2. Lock cowl in place by pulling lower cowl latch down.



3. Place top cowl into position over engine, front first. Ensure cowl fits properly into the rubber seal.
4. The top cowl will lock into place when downward pressure is applied to the back side of cowl. Ensure cowl is securely fastened by pulling up on back of cowl.

Battery Inspection

The battery should be inspected at periodic intervals to ensure proper engine starting capability.

IMPORTANT: Read the safety and maintenance instructions which accompany your battery.

1. Turn off the engine before servicing the battery.
2. Ensure the battery is secure against movement.
3. Battery cable terminals should be clean, tight, and correctly installed. Positive to positive and negative to negative.
4. Ensure the battery is equipped with a nonconductive shield to prevent accidental shorting of battery terminals.

Verado Engine Battery Specifications

IMPORTANT: Verado engines require a 12-volt absorbed glass mat (AGM) marine starting battery that meets the minimum ratings.

For best performance, Mercury Marine does not recommend using flooded (wet cell), gel cell type lead acid batteries, or lithium ion batteries for starting Verado engines.

Each Verado engine must be equipped with its own starting battery.

If the boat application requires additional battery loads for boat accessories or marine electronics, install an auxiliary battery, or batteries.

MAINTENANCE

Choose a 12-volt absorbed glass mat (AGM) battery that meets the following ratings.

USA (SAE) Verado Starting Battery Rating	
Required Verado starting battery	12-volt absorbed glass mat (AGM) battery
Required marine cranking amps (MCA) and reserve capacity	800 minimum marine cranking amps with a minimum reserve capacity of 135 minutes RC25 rating

International (EN) Verado Starting Battery Rating	
Required Verado starting battery	12-volt absorbed glass mat (AGM) battery
Required cold cranking amps (CCA) and amp hours (Ah)	975 minimum cold cranking amps with a minimum of 65 amp hours

NOTE: Do not use an engine starting battery that does not meet the specified ratings. If a battery that does not meet the ratings is used, the electrical system may perform poorly.

IMPORTANT: Boating industry standards (BIA, ABYC, etc.), federal standards, and Coast Guard regulations must be adhered to when installing the battery. Ensure that the battery cable installation meets the pull test requirements and that the positive battery terminal is properly insulated in accordance with regulations.

It is recommended (required in some states) that the battery be installed in an enclosed case. Refer to regulations for your area.

When connecting the engine battery, hex nuts must be used to secure the battery leads to the battery posts. Tighten the hex nuts to the specified torque.

▲ WARNING

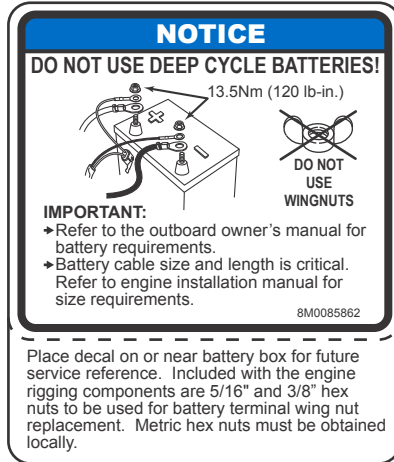
Failure to properly secure the battery leads can result in a loss of power to the Digital Throttle and Shift (DTS) system, leading to serious injury or death due to loss of boat control. Secure the battery leads to the battery posts with hex nuts to avoid loose connections.

Description	Nm	lb-in.	lb-ft
Hex nuts	13.5	120	–

IMPORTANT: Battery cable size and length is critical. Refer to Battery Cable Size tables or engine installation manual for size requirements.

MAINTENANCE

A decal advising against using deep cycle batteries and wing nuts should be placed on or near the battery box for future service reference. One 5/16 in. and one 3/8 in. hex nut are supplied per battery for wing nut replacement. Metric hex nuts are not supplied.



54395

Air Filter

The air filter is an integral component of the flywheel guard. It should be inspected for debris whenever the top cowl is removed. A damp towel is usually sufficient to remove accumulated particles from the screen.



57281

MAINTENANCE

Fuel System

⚠ WARNING

Fuel is flammable and explosive. Ensure that the key switch is off and the lanyard is positioned so that the engine cannot start. Do not smoke or allow sources of spark or open flame in the area while servicing. Keep the work area well ventilated and avoid prolonged exposure to vapors. Always check for leaks before attempting to start the engine, and wipe up any spilled fuel immediately.

IMPORTANT: Use an approved container to collect and store fuel. Wipe up spilled fuel immediately. Material used to contain spilled fuel must be disposed of in an approved receptacle.

Before servicing any part of the fuel system:

1. Stop engine and disconnect the battery.
2. Perform fuel system service in a well-ventilated area.
3. Inspect any completed service work for sign of fuel leakage.

FUEL LINE INSPECTION

Visually inspect the fuel line for cracks, swelling, leaks, hardness, or other signs of deterioration or damage. If any of these conditions are found, the fuel line must be replaced.

IN-LINE FUEL FILTER SLEEVE REMOVAL

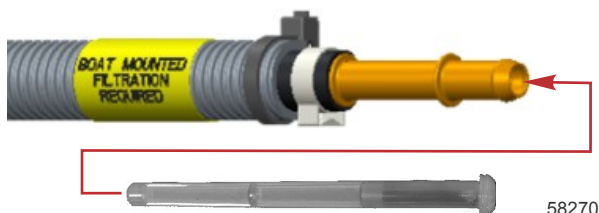
This engine is equipped with an in-line fuel filter sleeve installed in the fuel inlet hose, inside the engine cowl. The filter captures debris that may be in the fuel line after the vessel mounted fuel filtration system. This filter must be removed after 100 hours of operation and may be either discarded or replaced with a new filter.



Fuel inlet hose location

MAINTENANCE

1. Remove the clamp securing the vessel fuel line to the fuel inlet hose and remove the fuel line from the inlet hose.
2. Remove the in-line fuel filter sleeve from the inlet hose. Discard or replace the filter.



3. Install the vessel fuel line onto the fuel inlet hose and secure the connection with a clamp.
4. Verify the fuel line connection does not have a fuel leak.

VESSEL MOUNTED WATER-SEPARATING FUEL FILTER

This engine requires a vessel mounted water-separating fuel filter. The filter should be replaced annually or every 100 hours, whichever occurs first.

⚠ WARNING

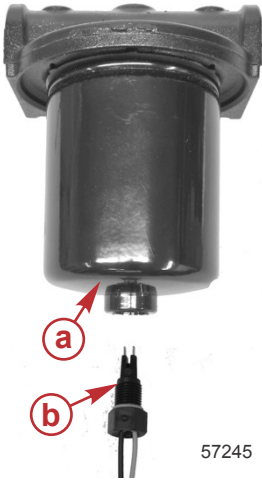
Fuel is flammable and explosive. Ensure that the key switch is off and the lanyard is positioned so that the engine cannot start. Do not smoke or allow sources of spark or open flame in the area while servicing. Keep the work area well ventilated and avoid prolonged exposure to vapors. Always check for leaks before attempting to start the engine, and wipe up any spilled fuel immediately.

Filter Replacement

1. Close the fuel valve, if equipped.
2. Place a container under the fuel filter.

MAINTENANCE

3. Remove the water-in-fuel sensor and allow the filter to drain into the container. The liquid that has drained from the filter must be disposed of according to applicable regulations and law.



- a - Water-separating fuel filter
- b - Water-in-fuel sensor

4. Remove the filter by turning it counterclockwise. Dispose of the filter according to applicable regulations and law.
5. Lubricate the new filter seal with oil. Do not use grease.
6. Install the filter and tighten securely.
7. Lubricate the sensor O-ring with clean engine oil.
8. Install the water-in-fuel sensor and tighten it to the specified torque.

Description	Nm	lb-in.	lb-ft
Water-in-fuel sensor	2.5	22.1	–

9. Open the fuel valve, if equipped.
10. Start the engine and inspect the area for fuel leaks. Repair as required.

NOTE: After replacing the water-separating fuel filter, the engine may stall or develop a slight hesitation and should clear itself of entrained air within a few minutes. Allow the trapped air to be purged from the fuel system before operating the engine above idle in gear.

Water-In-Fuel Warning—Draining the Filter

1. Close the fuel valve, if equipped.
2. Place a container under the fuel filter.
3. Remove the water-in-fuel sensor and allow the filter to drain into the container. The liquid that has drained from the filter must be disposed of according to applicable regulations and law.
4. Lubricate the sensor O-ring with clean engine oil.
5. Install the water-in-fuel sensor and tighten it to the specified torque.

MAINTENANCE

Description	Nm	lb-in.	lb-ft
Water-in-fuel sensor	2.5	22.1	–

6. Open the fuel valve.
7. Start the engine and inspect the area for fuel leaks. Repair as required.

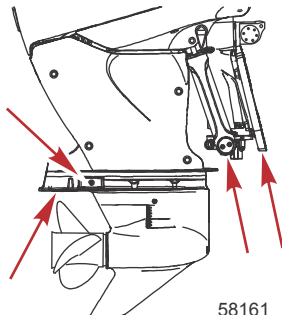
NOTE: After draining the water-separating fuel filter, the engine may stall or develop a slight hesitation and should clear itself of entrained air within a few minutes. Allow the trapped air to be purged from the fuel system before operating the engine above idle in gear.

Corrosion Control Anodes

The outboard has corrosion control anodes at different locations. An anode helps protect the outboard against galvanic corrosion by sacrificing its metal to be slowly eroded instead of the outboard metals.

Each anode requires periodic inspection, especially in saltwater, which will accelerate the corrosion. To maintain corrosion protection, always replace the anode before it is completely corroded. Never paint or apply a protective coating on the anode, as this will reduce the effectiveness of the anode.

Two anodes are located on each side of the gearcase, with a third positioned on the underside of the antiventilation plate. Another anode is installed on the bottom of the pedestal. Two more anodes are located on the bottom of each power trim ram.

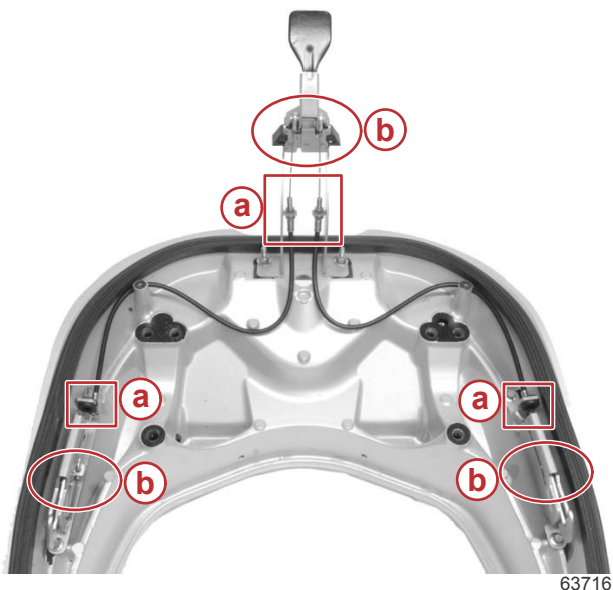


Cowl Latch Cable Maintenance

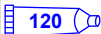
1. Remove the cowls. Refer to **Cowl Removal and Installation**.
2. Apply a generous amount of oil to the cables that are vertical, allowing the oil to drain into the cable shield.
3. Apply a small amount of oil to the cables that are horizontal.

MAINTENANCE

4. Apply Corrosion Guard to the ends of the cables and to the latches.



- a** - Apply oil to these areas
- b** - Apply Corrosion Guard to these areas

Tube Ref No.	Description	Where Used	Part No.
 120	Corrosion Guard	Cable ends and latches	92-802878 55

5. Move the cowl latch lever several times to help distribute the oil.

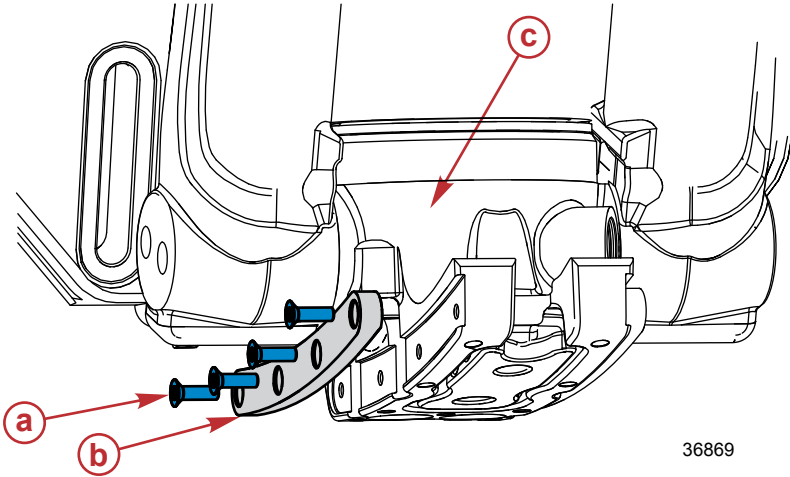
Trim Wear Pad Replacement

The Verado engine utilizes thrust guide plates on either side of the driveshaft housing to improve stability of the engine. As the engine is trimmed up or down, the thrust guide plates will rub against the trim wear pads that are mounted on either side of the trim manifold. Replace the trim wear pads if the heads of the mounting screws become flush with the wear pad surface.

Refer to the **Inspection and Maintenance Schedule** for the proper maintenance interval.

MAINTENANCE

IMPORTANT: Always use new mounting screws when installing trim wear pads.

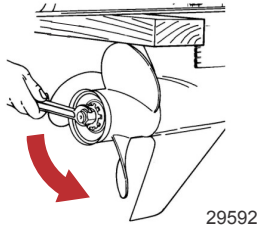


- a** - M6 x 20 screw with patch lock pad (8)
- b** - Trim wear pad (2)
- c** - Trim manifold

Description	Nm	lb-in.	lb-ft
M6 x 20 screw (8)	6	53	-

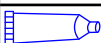
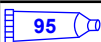
Propeller Replacement

1. Shift the outboard into the neutral position.
2. Place a block of wood between the gearcase and the propeller to hold the propeller. Remove the propeller nut.



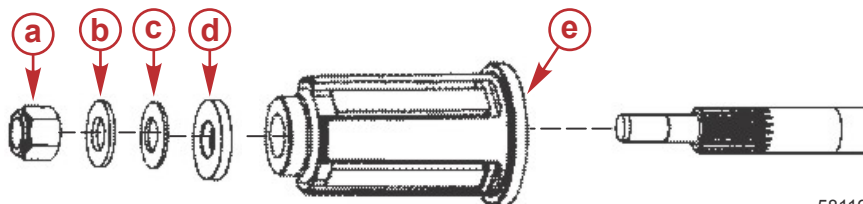
3. Pull the propeller straight off of the shaft.
4. To aid in the future removal of the propeller, liberally coat the propeller shaft splines with one of the following Mercury products:

MAINTENANCE

Tube Ref No.	Description	Where Used	Part No.
	Extreme Grease	Propeller shaft splines	8M0071842
95 	2-4-C with PTFE	Propeller shaft splines	92-802859A 1

5. Flo-Torq II HD solid hub:

a. Install the hub components in the sequence shown.



58119

- a** - Propeller nut
- b** - Washer, 38 mm (1.5 in.) diameter
- c** - Belleville washer, 38 mm (1.5 in.) diameter
- d** - Thick washer, 46 mm (1-13/16 in.) diameter
- e** - Propeller hub

b. Place a block of wood between the gearcase and the propeller.
Tighten the propeller nut to the specified torque.

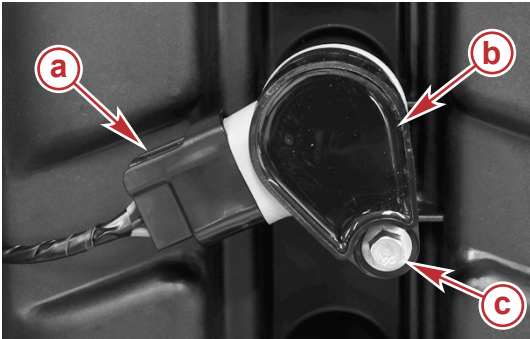
Description	Nm	lb-in.	lb-ft
Propeller nut	75	–	55.3

Spark Plug Inspection and Replacement

1. Remove top and rear cowls. Refer to **Cowl Removal and Installation**.
2. Disconnect the wiring harness from the pencil coil connections.
3. Remove screws securing the coils.

MAINTENANCE

4. Use a twisting motion, remove the pencil coils from the spark plugs.

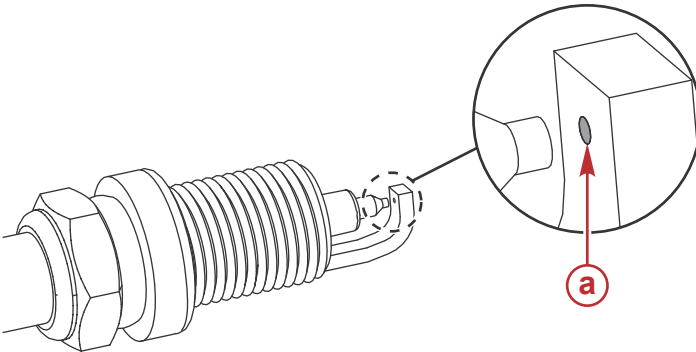


57247

- a** - Wiring harness connector
- b** - Pencil coil
- c** - Screw

5. Remove the spark plugs. Replace the spark plug if the electrode is worn; the insulator is rough, cracked, broken, or blistered; or if the precious metal is not visible on the spark plug electrode.

IMPORTANT: The color of the plug may not accurately reflect its condition. To accurately diagnose a faulty plug, inspect the precious metal on the plug's electrode. If no precious metal is visible, replace the plug.

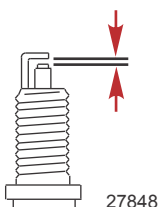


9381

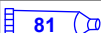
- a** - Precious metal

MAINTENANCE

6. Set the spark plug gap. Refer to **General Information - Specifications**.



- All of the spark plugs should have the gap checked and corrected as necessary before installation.
 - Measure the gap with a feeler gauge or pin gauge. Never use a wedge-type gap checking tool to inspect or to adjust the gap.
 - If an adjustment is necessary, do not pry or apply any force on the center electrode. This is critical with any type of spark plug that has a wear surface, such as platinum or iridium added to either the ground electrode or the center electrode.
 - When it is necessary to widen the gap, use a tool that only pulls back on the ground electrode without touching the center electrode, the porcelain, or the wear portion of the ground electrode.
 - When it is necessary to close the gap, gently tap the plug ground electrode on a hard surface.
7. Saltwater use - Apply Anti-Seize Compound only onto the threads of the spark plugs.

Tube Ref No.	Description	Where Used	Part No.
 81	Anti-Seize Compound	Spark plug threads	92-898101389

8. Before installing spark plugs, clean off any dirt on the spark plug seats. Install the plugs finger-tight and then tighten an additional 1/4 turn or tighten to the specified torque.

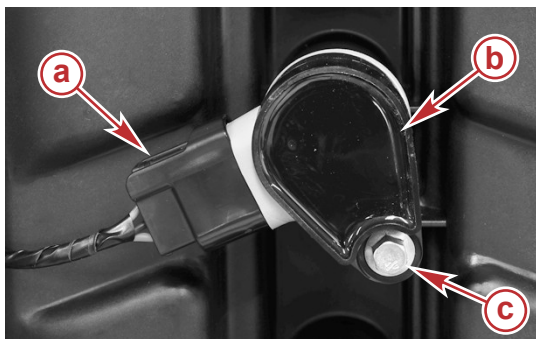
Description	Nm	lb-in.	lb-ft
Spark plug	27	-	20

9. Push pencil coils into place over the spark plugs using a twisting motion.
10. Secure coil with the screw. Tighten the screw to the specified torque.

Description	Nm	lb-in.	lb-ft
Screw	8	71	-

MAINTENANCE

11. Connect the wire harness to the pencil coil.



57247

- a** - Wiring harness connector
- b** - Pencil coil
- c** - Screw

12. Install the rear and top cowls.

Fuses

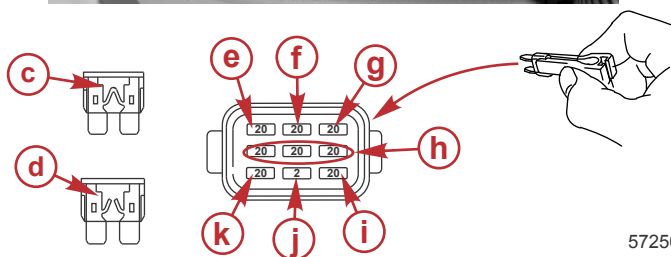
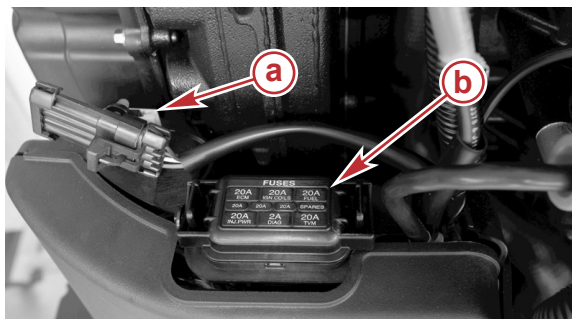
IMPORTANT: An ATC fuse has the fuse element enclosed or sealed inside the plastic housing. This type of fuse must be used for marine applications. Marine applications are exposed to environments that may have the potential to accumulate explosive vapors. ATO fuses have exposed elements and should never be used in marine applications.

The electrical wiring circuits on the outboard are protected from overload with fuses. If a fuse is blown, try to locate and correct the cause of the overload. If the cause is not found, the fuse may blow again.

Remove the fuse puller from the holder.

MAINTENANCE

Remove the cover from the fuse holder. Remove the suspected blown fuse and look at the silver band inside the fuse. If band is broken, replace the fuse. Replace the fuse with a new fuse with the same amp rating.



57250

- a** - Fuse puller
- b** - Fuse holder
- c** - Good fuse
- d** - Blown fuse
- e** - Electronic control module - 20 amp
- f** - Ignition coils - 20 amp
- g** - Fuel pumps - 20 amp
- h** - Spare fuses (3)
- i** - Thrust vector module - 20 amp (Joystick Piloting models only)
- j** - Diagnostics terminal - 2 amp
- k** - Fuel injectors - 20 amp

DTS Wiring System

▲ WARNING

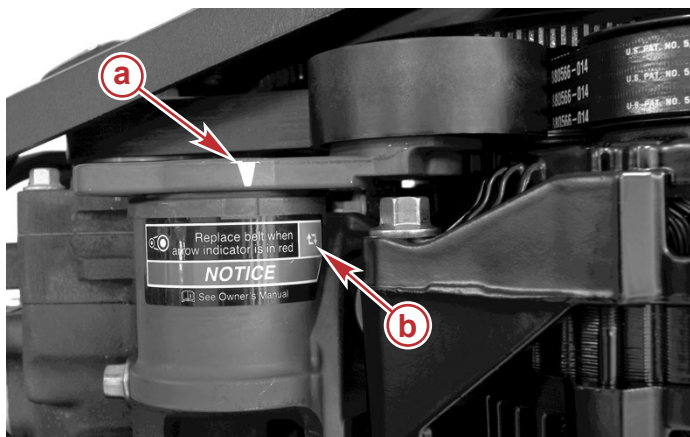
Splicing or probing will damage the wire insulation allowing water to enter the wiring. Water intrusion may lead to wiring failure and loss of throttle and shift control. To avoid the possibility of serious injury or death from loss of boat control, do not splice or probe into any wire insulation of the DTS system.

MAINTENANCE

- Verify the harnesses are not routed near sharp edges, hot surfaces, or moving parts.
- Verify all unused connectors and receptacles are covered with a weather cap.
- Verify the harnesses are fastened along the routing path.

Accessory Drive Belt Inspection

1. Inspect the accessory drive belt tensioner to ensure the tensioner is within the recommended range of tension operation. If the tensioner arrow is within the red target area, have an authorized dealer replace the belt.



57255

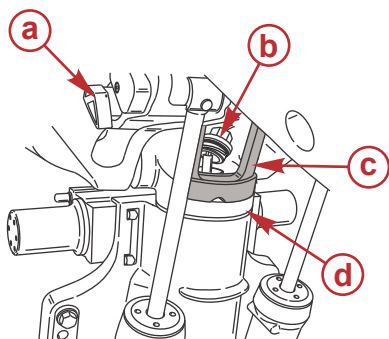
- a** - Tensioner arrow
 - b** - Red target window (replace the belt)
2. Inspect the condition of the drive belt. If any of the following conditions are found, have an authorized dealer replace the belt.
 - Cracks in the back of the belt or in the base of V-grooves.
 - Excessive wear at the roots of the grooves.
 - Rubber portion swollen by oil.
 - Belt surfaces roughened.
 - Signs of wear on edges or outer surfaces of belt.

Checking Power Trim Fluid

1. Tilt outboard to the full up position.
2. Rotate the tilt support bracket down.
3. Lower outboard until tilt support bracket rests on pedestal.

MAINTENANCE


- Remove the power trim fill cap. The fill cap only requires 1/4 turn to remove.



- a - Tilt support lever
- b - Power trim fill cap
- c - Tilt support bracket
- d - Pedestal

29312

- The fluid level should be approximately 25 mm (1 in.) from the top of the fill neck. Add Quicksilver or Mercury Precision Lubricants Power Trim and Steering Fluid. If not available, use automotive automatic transmission fluid (ATF).

Tube Ref No.	Description	Where Used	Part No.
 114	Power Trim and Steering Fluid	Power trim system	92-858074K01

- Install the power trim fill cap. Tighten fill cap 1/4 turn. Cap will snap in place. Do not tighten beyond this point.

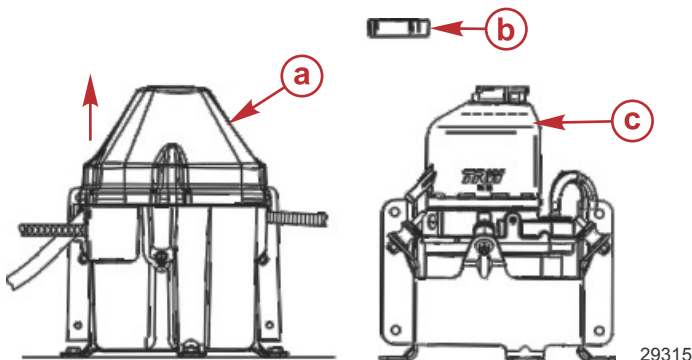
Checking Power Steering Fluid

▲ WARNING



Dirt or contaminants in the hydraulic steering system can damage the steering system's internal components. Damaged components can lead to serious injury or death due to loss of boat control. Do not allow dirt or contamination to enter the helm, lines, or cylinder of this steering system and perform all hydraulic inspections, service, or assembly procedures in a clean work area.

MAINTENANCE

Remove the power steering cover and fill cap to check the fluid level. The fluid level should be slightly below the bottom of the fill hole. Use Synthetic Power Steering Fluid SAE 0W-30, if needed.



- a - Power steering cover
- b - Fill cap
- c - Fill/full level

Tube Ref No.	Description	Where Used	Part No.
 138 	Synthetic Power Steering Fluid SAE 0W-30	Power steering system	92-858077K01

Changing Engine Oil

ENGINE OIL CAPACITY

Engine oil capacity is approximately 7.0 L (7.4 US qt).

PUMP METHOD

IMPORTANT: Tilt the outboard out/up past vertical for approximately one minute to allow any trapped oil to drain back to the oil sump.


IMPORTANT: To reduce or prevent oil spillage when removing the oil filter, ensure that the outboard is upright (not tilted) and the engine is cold or has not run for at least one hour.

1. Tilt the outboard out/up past vertical for approximately one minute to allow any trapped oil to drain back to the oil sump.
2. Place the outboard in a vertical position.
3. Remove the dipstick.
4. Install the oil extraction tube to the crankcase oil pump.

NOTE: The oil extraction tube can be purchased from a Mercury Marine Outboard or MerCruiser service dealership.

MAINTENANCE

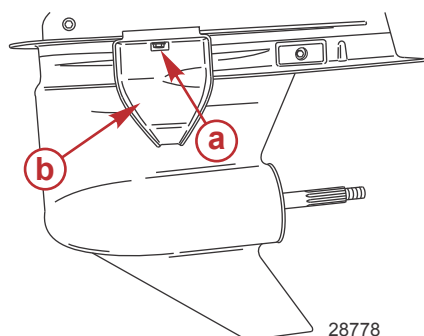
5. Insert the oil extraction tube into the oil dipstick hole until the tube is at the bottom of the engine oil sump.
6. Pump the engine oil into an appropriate container.

Crankcase Oil Pump	802889A1
 <p>11591</p>	<p>Aids in the removal of engine oil without draining the crankcase.</p>


DRAIN METHOD

IMPORTANT: The pump method is preferred to remove engine oil from XXL models. If the drain method is used, an oil drain funnel must be used to divert oil from the lower splash plate and into the container.

1. Tilt the outboard out/up past vertical for approximately one minute to allow any trapped oil to drain back to the oil sump.
2. Place the outboard in a vertical position.
3. Place an appropriate container under the engine oil sump plug. The drain plug/seal washer is located beneath the splash plate on the port side of the outboard.
4. Loosen the drain plug/seal washer. Install the oil drain funnel over the drain plug/seal washer.



- a - Drain plug/seal washer
- b - Oil drain funnel

Oil Drain Funnel	91-892866A01
 <p>4993</p>	<p>Diverts draining engine oil from contacting the antisplash and anticavitation plates.</p>

MAINTENANCE

5. Remove the drain plug/seal washer and drain the engine oil into a container.
6. Install the drain plug/seal washer.

CHANGING OIL FILTER

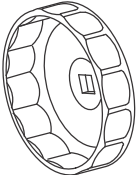
IMPORTANT: To reduce or prevent oil spillage when removing the oil filter, ensure the outboard is upright (not tilted) and the engine is cold or has not run for at least one hour.

1. Remove the top cowl.
2. Place a rag or towel below the oil filter to absorb any spilled oil.
3. Remove the old filter with an oil filter wrench tool by turning the filter counterclockwise.



a - Oil filter

57127

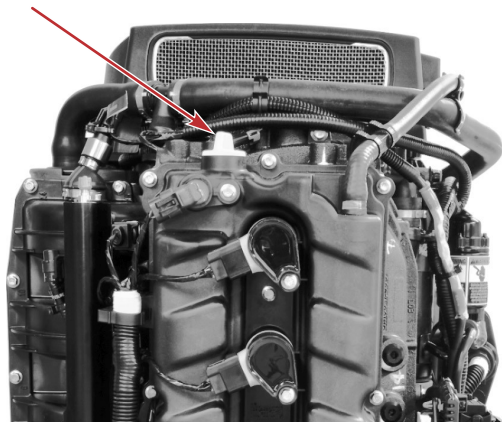
Oil Filter Wrench	91-889277
 5221	Aids in the removal of the oil filter.

4. Clean the oil filter mounting base.
5. Lubricate the new filter gasket with engine oil. Do not use grease.
6. Install the new filter until the gasket contacts the base, then tighten the filter an additional 3/4 to 1 turn.

MAINTENANCE

OIL FILLING

1. Remove the oil fill cap and add the recommended oil to the midpoint of the operating range (midpoint of crosshatched region on the dipstick). Adding approximately 7.0 L (7.4 US qt) will bring the oil level to midpoint of the crosshatched region on the dipstick.



68407

Oil fill cap location

2. Install the oil fill cap.
3. With the outboard in water or with a cooling water flush hose connected, idle the engine for five minutes to check for leaks at the oil filter.
4. Stop the engine and check the oil level. Refer to **Fuel and Oil - Checking and Adding Engine Oil**.

Gearcase Lubrication

When adding or changing gearcase lubricant, visually check for the presence of water in the lubricant. If water is present, it may have settled to the bottom and will drain out prior to the lubricant, or it may be mixed with the lubricant, giving it a milky colored appearance. If water is noticed, have the gearcase checked by your dealer. Water in the lubricant may result in premature bearing failure or, in freezing temperatures, will turn to ice and damage the gearcase.

Examine the drained gearcase lubricant for metal particles. A small amount of metal particles indicates normal gear wear. An excessive amount of metal filings or larger particles (chips) may indicate abnormal gear wear and should be checked by an authorized dealer.

HEAVY DUTY 137 MM (5.4 IN.) DIAMETER GEARCASE


Gearcase Lubricant Capacity

Gearcase lubricant capacity is approximately 510 ml (17.2 fl oz).

MAINTENANCE

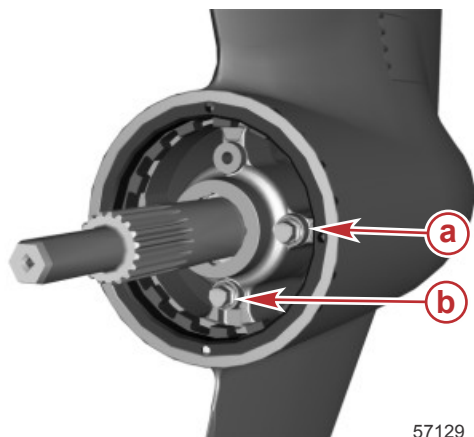
Gearcase Lubricant Requirement

Mercury or Quicksilver High Performance Gear Lubricant.

Tube Ref No.	Description	Where Used	Part No.
87 	High Performance Gear Lubricant	Gearcase	92-858064K01

Draining Gearcase

1. Place the outboard in a vertical operating position.
2. Remove the propeller. Refer to **Propeller Replacement**.
3. Place a pan below the gear housing to capture the lubricant.
4. Remove the lubricant level plug and fill/drain plug. Allow a sufficient amount of time for the gearcase to drain. Depending on the ambient air temperature, it may take 30 minutes for the gearcase to completely drain.



- a - Lubricant level plug
- b - Fill/drain plug

57129

Filling the Gearcase

1. After the gearcase has been drained, fill the gearcase through the fill/drain hole.
2. Add the specified gear lubricant.

IMPORTANT: Replace the sealing washers if damaged.

3. Allow a few minutes for the lubricant level to stabilize in the gearcase before installing the lubricant level plug. Install the lubricant level plug.
4. Remove the tube and install the fill/drain plug.
5. Tighten the plugs to the specified torque.

Description	Nm	lb-in.	lb-ft
Plugs	11.3	100	-

MAINTENANCE

Checking Lubricant Level

1. Place the outboard in a vertical operating position. Allow up to 30 minutes for the lubricant level to stabilize in the gear housing.
2. Remove the lubricant level plug. Verify the sealing washer is not adhered to the bearing carrier. The lubricant should be level with the hole or slowly leak from the hole.

IMPORTANT: Replace the sealing washers if damaged.

3. If lubricant is not visible at the lubricant level hole, remove the fill/drain plug and add lubricant until it appears at the lubricant level hole.
4. Stop adding lubricant.
5. Remove the lubricant tube and install the fill/drain plug and sealing washer.
6. Tighten the plugs to the specified torque.

Description	Nm	lb-in.	lb-ft
Plugs	11.3	100	–

STORAGE

Storage Preparation

The major consideration in preparing your outboard for storage is to protect it from rust, corrosion, and damage caused by freezing of trapped water.

The following storage procedures should be followed to prepare your outboard for out of season storage or prolonged storage (two months or longer).

NOTICE

Without sufficient cooling water, the engine, the water pump, and other components will overheat and suffer damage. Provide a sufficient supply of water to the water inlets during operation.


FUEL SYSTEM

IMPORTANT: Gasoline containing alcohol (ethanol or methanol) can cause a formation of acid during storage and can damage the fuel system. If the gasoline being used contains alcohol, it is advisable to drain as much of the remaining gasoline as possible from the fuel tank, remote fuel line, and engine fuel system.

IMPORTANT: This outboard is equipped with a closed fuel system. Fuel within the engine's fuel system, other than the fuel tank, will remain stable during normal storage periods without the addition of fuel treatment stabilizers.



Fill the fuel tank and engine fuel system with treated (stabilized) fuel to help prevent formation of varnish and gum. Proceed with the following instructions.

- Permanently installed fuel tank - Pour the required amount of Quickstor Fuel Stabilizer (follow instructions on container) into a separate container and mix with approximately one liter (one quart) of gasoline. Pour this mixture into the fuel tank.

Tube Ref No.	Description	Where Used	Part No.
 124 	Quickstor Fuel Stabilizer	Fuel tank	92-8M0047932

Protecting External Outboard Components

- Touch up any paint nicks. See your dealer for touch-up paint.
- Spray Quicksilver or Mercury Precision Lubricants Corrosion Guard on external metal surfaces (except corrosion control anodes).

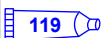
Tube Ref No.	Description	Where Used	Part No.
 120 	Corrosion Guard	External metal surfaces	92-802878 55

Protecting Internal Engine Components

IMPORTANT: Refer to Maintenance - Spark Plug Inspection and Replacement for correct procedure for removing spark plugs.

STORAGE

- Remove pencil coils and spark plugs.
- Spray approximately 30 ml (1 fl oz) of Storage Seal Rust Inhibitor into each spark plug hole.

Tube Ref No.	Description	Where Used	Part No.
 119	Storage Seal Rust Inhibitor	Spark plug holes	92-858081K03

- Actuate key/push button start switch to crank the engine through one start cycle, which will distribute the storage seal throughout the cylinders.
- Install spark plugs and pencil coils.

Gearcase

- Drain and refill the gearcase lubricant. Refer to **Maintenance - Gearcase Lubrication**.

Positioning Outboard for Storage

Store outboard in an upright (vertical) position to allow water to drain out of the outboard.

NOTICE

Storing the outboard in a tilted position can damage the outboard. Water trapped in the cooling passages or rain water collected in the propeller exhaust outlet in the gearcase can freeze. Store the outboard in the full down position.

Battery Storage

- Follow the battery manufacturer's instructions for storage and charging.
- Remove the battery from the boat and check water level. Charge if necessary.
- Store the battery in a cool, dry place.
- Periodically check the water level and charge the battery during storage.

TROUBLESHOOTING

Starter Motor Will Not Crank the Engine

POSSIBLE CAUSES

- Lanyard stop switch not in RUN position.
- Blown 5-amp fuse. Check DTS power harness circuit fuse. Refer to **Maintenance** section.
- Remote control is not shifted to the neutral position.
- Shift actuator failure. Turn ignition key switch off to reset and then start the engine.
- Weak battery or battery connections are loose or corroded.
- Ignition key switch failure.
- Wiring or electrical connection faulty.
- Starter motor solenoid or start solenoid failure.

Engine Will Not Start

POSSIBLE CAUSES

- Incorrect starting procedure. Refer to **Operation** section.
- Old or contaminated gasoline.
- Fuel is not reaching the engine.
 - Fuel tank is empty.
 - Fuel tank vent not open or restricted.
 - Fuel line is disconnected or kinked.
 - Fuel filter is obstructed. Refer to **Maintenance** section.
 - Fuel pump failure.
 - Fuel tank filter obstructed.
- Ignition system component failure.
- Spark plugs fouled or defective. Refer to **Maintenance** section.

Engine Starts But Will Not Shift Into Gear

- Throttle only mode is engaged.
- Shift actuator failure. Turn ignition key switch off to reset and then start the engine.

Engine Runs Erratically

POSSIBLE CAUSES

- Overheating—warning horn not working.
- Low oil pressure. Check oil level.
- Spark plugs fouled or defective. Refer to **Maintenance** section.
- Incorrect setup and adjustments.
- Fuel is being restricted to the engine.

TROUBLESHOOTING

- a. Engine fuel filter is obstructed. Refer to **Maintenance** section.
 - b. Fuel tank filter obstructed.
 - c. Stuck antisiphon valve located on permanently built-in type fuel tanks.
 - d. Fuel line is kinked or pinched.
- Fuel system is not primed.
 - Fuel pump failure.
 - Ignition system component failure.

Performance Loss

POSSIBLE CAUSES

- Overheating—warning horn not working.
- Low oil pressure. Check oil level.
- Throttle not opening fully.
- Damaged propeller or improper propeller size.
- Low water pressure.
- Low battery voltage.
- Worn, stretched or broken accessory belt.
- Boat overloaded or load improperly distributed.
- Excessive water in bilge.
- Boat bottom is dirty or damaged.
- Air filter or intake screen that is partially blocked with debris.

Battery Will Not Hold Charge

POSSIBLE CAUSES

- Battery connections are loose or corroded.
- Low electrolyte level in battery.
- Worn out or inefficient battery.
- Excessive use of electrical accessories.
- Defective rectifier, alternator, or voltage regulator.
- Open circuit in the alternator output wire (fused link).
- Worn or stretched accessory belt.

OWNER SERVICE ASSISTANCE

Service Assistance

LOCAL REPAIR SERVICE

If you need service for your Mercury-outboard-powered boat, take it to your authorized dealer. Only authorized dealers specialize in Mercury products and have factory-trained mechanics, special tools and equipment, and genuine Quicksilver parts and accessories to properly service your engine.

NOTE: *Quicksilver parts and accessories are engineered and built by Mercury Marine specifically for your power package.*

SERVICE AWAY FROM HOME

If you are away from your local dealer and the need arises for service, contact the nearest authorized dealer. If, for any reason, you cannot obtain service, contact the nearest Regional Service Center. Outside the United States and Canada, contact the nearest Marine Power International Service Center.

STOLEN POWER PACKAGE

If your power package is stolen, immediately advise the local authorities and Mercury Marine of the model and serial numbers and to whom the recovery is to be reported. This information is maintained in a database at Mercury Marine to aid authorities and dealers in the recovery of stolen power packages.

ATTENTION REQUIRED AFTER SUBMERSION

1. Before recovery, contact an authorized Mercury dealer.
2. After recovery, immediate service by an authorized Mercury dealer is required to reduce the possibility of serious engine damage.

REPLACEMENT SERVICE PARTS

WARNING

Avoid fire or explosion hazard. Electrical, ignition, and fuel system components on Mercury Marine products comply with federal and international standards to minimize risk of fire or explosion. Do not use replacement electrical or fuel system components that do not comply with these standards. When servicing the electrical and fuel systems, properly install and tighten all components.

Marine engines are expected to operate at or near full throttle for most of their lives. They are also expected to operate in both fresh and saltwater environments. These conditions require numerous special parts.

PARTS AND ACCESSORIES INQUIRIES

Direct any inquiries concerning genuine Mercury Precision Parts® or Quicksilver Marine Parts and Accessories® to a local authorized dealer. Dealers have the proper systems to order parts and accessories, if they are not in stock. **Engine model** and **serial number** are required to order correct parts.

OWNER SERVICE ASSISTANCE

RESOLVING A PROBLEM

Satisfaction with your Mercury product is important to your dealer and to us. If you ever have a problem, question or concern about your power package, contact your dealer or any authorized Mercury dealership. If you need additional assistance:

1. Talk with the dealership's sales manager or service manager.
2. If your question, concern, or problem cannot be resolved by your dealership, please contact the Mercury Marine Service Office for assistance. Mercury Marine will work with you and your dealership to resolve all problems.

The following information will be needed by the Customer Service:

- Your name and address
- Your daytime telephone number
- The model and serial numbers of your power package
- The name and address of your dealership
- The nature of the problem

CONTACT INFORMATION FOR MERCURY MARINE CUSTOMER SERVICE

For assistance, call, fax, or write to the geographic office in your area. Please include your daytime telephone number with mail and fax correspondence.

United States, Canada		
Telephone	English +1 920 929 5040 Français +1 905 636 4751	Mercury Marine W6250 Pioneer Road P.O. Box 1939 Fond du Lac, WI 54936-1939
Fax	English +1 920 929 5893 Français +1 905 636 1704	
Website	www.mercurymarine.com	

Australia, Pacific		
Telephone	+61 3 9791 5822	Brunswick Asia Pacific Group 41-71 Bessemer Drive Dandenong South, Victoria 3175 Australia
Fax	+61 3 9706 7228	

Europe, Middle East, Africa		
Telephone	+32 87 32 32 11	Brunswick Marine Europe Parc Industriel de Petit-Rechain B-4800 Verviers, Belgium
Fax	+32 87 31 19 65	

OWNER SERVICE ASSISTANCE

Mexico, Central America, South America, Caribbean		
Telephone	+1 954 744 3500	Mercury Marine 11650 Interchange Circle North Miramar, FL 33025 U.S.A.
Fax	+1 954 744 3535	

Asia, Singapore, Japan		
Telephone	+65 68058100	Mercury Marine Singapore Pte Ltd 11 Changi South Street 3, #01-02 Singapore, 486122
Fax	+65 68058138	

Ordering Literature

Before ordering literature, have the following information about your power package available:

Model		Serial Number	
Horsepower		Year	

UNITED STATES AND CANADA

For additional literature for your Mercury Marine power package, contact your nearest Mercury Marine dealer or contact:

Mercury Marine		
Telephone	Fax	Mail
(920) 929-5110 (USA only)	(920) 929-4894 (USA only)	Mercury Marine Attn: Publications Department P.O. Box 1939 Fond du Lac, WI 54936-1939

OUTSIDE THE UNITED STATES AND CANADA

Contact your nearest Mercury Marine authorized service center to order additional literature that is available for your particular power package.

Submit the following order form with payment to:	Mercury Marine Attn: Publications Department W6250 Pioneer Road P.O. Box 1939 Fond du Lac, WI 54936-1939
Ship To: (Copy this form and print or type—This is your shipping label)	
Name	
Address	
City, State, Province	
ZIP or postal code	
Country	

OWNER SERVICE ASSISTANCE

Quantity	Item	Stock Number	Price	Total
			.	.
			.	.
			.	.
			.	.
			.	.
			Total Due	.

INSTALLATION INFORMATION

Mercury Marine Validated Engine Mounting Hardware

IMPORTANT: Mercury Marine provides validated fasteners and installation instructions, including torque specifications, with all of our outboards so they can be properly secured to boat transoms. Improper installation of the outboard can cause performance and reliability issues that can lead to safety concerns. Follow all of the instructions relating to the outboard installation. **DO NOT** mount any other accessory onto the boat with the fasteners provided with the outboard. For example, do not mount tow sport bars or boarding ladders onto the boat using the mounting hardware included with the outboard. Installing other products onto the boat that utilize the outboard mounting hardware will compromise the ability of that hardware to properly and safely secure the outboard to the transom.

Outboards that require validated mounting hardware will have the following decal on the transom clamp.



51965

Fastening Hardware Specification (Not Factory Supplied)

IMPORTANT: Mercury Marine has designed and tested the engine when it is directly mounted to the transom, jack plate, or setback plate using the mounting hardware included with the engine. Torque requirements have been established using the hardware included with the engine. The use of mounting hardware not supplied by the factory, must be equal to, or greater than the following specifications.

- Bolt specifications:

INSTALLATION INFORMATION

Must be a hex head bolt with an unthreaded shank length of not less than 1 inch	
Thread size	0.50-20 inch UNF - 2A thread
Material	Austenitic stainless steel grade 304 or 316
Minimum mechanical properties	90,000 psi ultimate tensile strength/50,000 psi yield strength. This corresponds to a F593C bolt head marking per American Society for Testing and Materials (ASTM).



48016

- Nut specifications:

Nut to be a prevailing torque, full height nut, nylon 6/6 or equivalent insert	
Thread size	0.50-20 inch UNF thread
Material	Brass, Grade Cu 613 per ASTM
Minimum mechanical properties	80,000 psi proof stress. This corresponds to a F467F mechanical marking per ASTM.

- Washer specifications:

This washer is for use on the transom bracket side of the application	0.88 x 0.53 x 0.104 inch flat washer, 630 (H1025) hardened stainless steel
This washer is for use on the transom side of the application	1.5 x 0.515 x 0.125 inch flat washer, 302, 304, or 316 stainless steel

INSTALLATION INFORMATION

Accessories Mounted to the Transom Clamp Bracket

Mercury Marine has been made aware that certain aftermarket marine accessories, such as emergency boarding ladders, shallow water anchors, transom wedge kits, and tow sport attaching devices, have been mounted to the boat by use of the same fasteners that secure the outboard to the transom or jack plate. Using the same fastener to secure both an accessory and the engine to the boat compromises the ability of the fasteners to maintain the proper clamp load. A boat with loose engine mounting fasteners creates the possibility of performance, durability, and safety issues.

⚠ WARNING

Avoid serious injury or death resulting from a loss of boat control. Loose engine fasteners could cause the transom bracket to fail, resulting in a loss of the driver's ability to control the boat. Always ensure that the engine fasteners are tightened to the specified torque.

ACCEPTABLE ACCESSORY MOUNTING TO THE TRANSOM CLAMP BRACKET

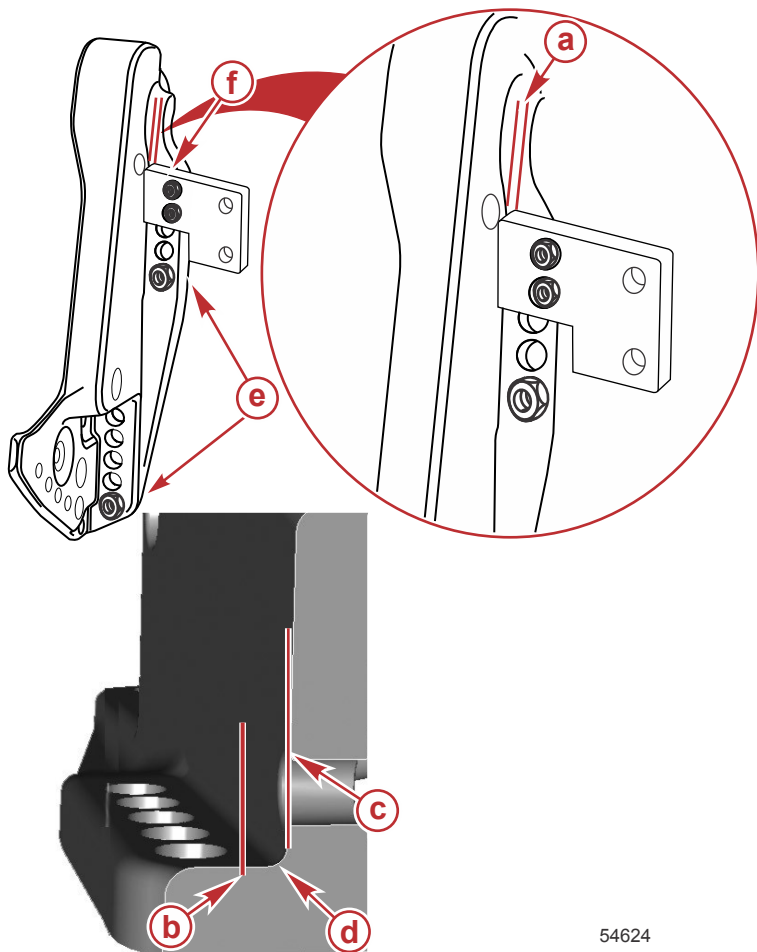
After the engine is mounted to the transom or jack plate in accordance with the engine installation instructions, it is acceptable to attach an accessory to the boat by use of the unused bolt holes in the transom clamp bracket as shown in Figure 1.

The following list provides additional guidelines for mounting accessories to the transom clamp bracket.

- The accessory fasteners must pass through the boat transom or jack plate.

INSTALLATION INFORMATION

- The installation must not create interference issues, as would an accessory mounting plate resting in the radius of the transom clamp bracket. Refer to Figure 1.



54624

Figure 1

- a** - Minimum clearance 3.175 mm (0.125 in.)
- b** - Edge of accessory bracket
- c** - Transom clamp bracket wall
- d** - Radius
- e** - Engine supplied mounting fasteners
- f** - Fasteners supplied by the accessory manufacturer installed through unused engine mounting bracket holes

INSTALLATION INFORMATION

UNACCEPTABLE ACCESSORY MOUNTING

IMPORTANT: Do not use the fasteners that secure the engine to the boat (either the transom or the jack plate) for any purpose other than securing the engine to the boat.

1. Do not mount an accessory to the transom clamp bracket in an unsupported condition. Refer to Figure 2.

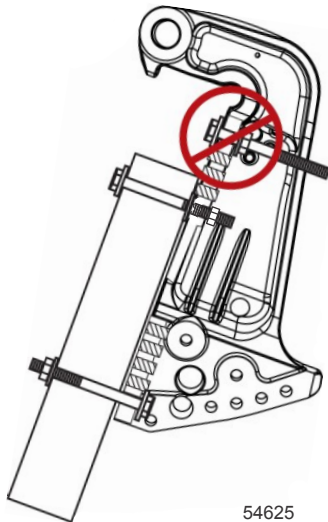


Figure 2

2. Do not attach an accessory to the boat by use of the engine mounting hardware. Refer to Figure 3.

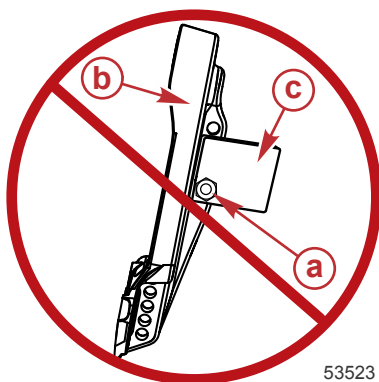


Figure 3

- a** - Engine supplied mounting fasteners
- b** - Transom clamp bracket
- c** - Accessory

INSTALLATION INFORMATION

- Do not install wedges or plates between the transom clamp brackets and the transom (or jack plate). Refer to Figure 4.

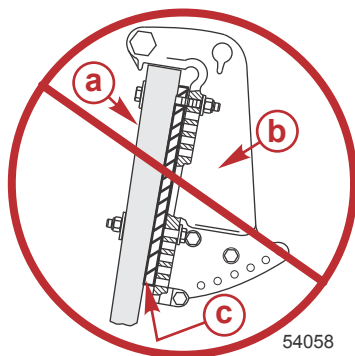


Figure 4

- a** - Boat transom or jack plate
- b** - Transom clamp bracket
- c** - Wedge/plate

Fastening the Outboard

⚠ WARNING

Failure to correctly fasten the outboard could result in the outboard propelling off the boat transom resulting in property damage, serious injury, or death. Before operation, the outboard must be correctly installed with the required mounting hardware.

IMPORTANT: For optimum boat performance and detailed engine installation instructions, refer to the Outboard Installation Manual, supplied with the outboard.

IMPORTANT: Mercury Marine provides validated fasteners and installation instructions, including torque specifications, with all our outboards so they can be properly secured to boat transoms. Improper installation of the outboard can cause performance and reliability issues that can lead to safety concerns. Follow all of the instructions relating to the outboard installation. Do not mount any other accessory onto the boat with the fasteners provided with the outboard. For example, do not mount tow sport bars or boarding ladders onto the boat using the mounting hardware included with the outboard. Installing other products onto the boat that utilize the outboard mounting hardware will compromise the ability of that hardware to properly and safely secure the outboard to the transom.

IMPORTANT: Mercury Marine has designed and tested the engine when it is directly mounted to the transom, jack plate, or setback plate using the mounting hardware included with the engine. Torque requirements have been established using the hardware included with the engine. The use of mounting hardware not supplied by the factory, must be equal to, or greater than the following specifications.

- Bolt specifications:

INSTALLATION INFORMATION

Must be a hex head bolt with an unthreaded shank length of not less than 1 inch	
Thread size	0.50-20 inch UNF - 2A thread
Material	Austenitic stainless steel grade 304 or 316
Minimum mechanical properties	90,000 psi ultimate tensile strength/50,000 psi yield strength. This corresponds to a F593C bolt head marking per American Society for Testing and Materials (ASTM).



48016

- Nut specifications:

Nut to be a prevailing torque, full height nut, nylon 6/6 or equivalent insert	
Thread size	0.50-20 inch UNF thread
Material	Brass, Grade Cu 613 per ASTM
Minimum mechanical properties	80,000 psi proof stress. This corresponds to a F467F mechanical marking per ASTM.


- Washer specifications:

This washer is for use on the transom bracket side of the application	0.88 x 0.53 x 0.104 inch flat washer, 630 (H1025) hardened stainless steel
This washer is for use on the transom side of the application	1.5 x 0.515 x 0.125 inch flat washer, 302, 304, or 316 stainless steel

We strongly recommend that your dealer install your outboard and related accessories to ensure proper installation and good performance. If you install the outboard yourself, follow instructions in the **Outboard Installation Manual** which is provided with the outboard.

1. Apply marine sealer to the shanks (not the threads) of the mounting bolts.

INSTALLATION INFORMATION

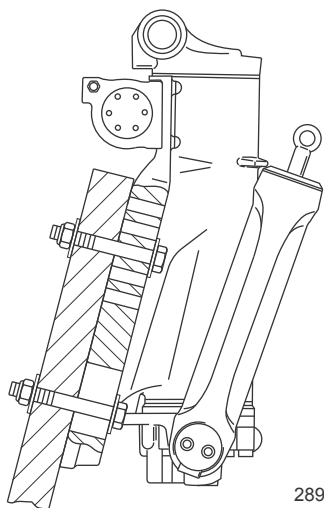
Tube Ref. No.	Description	Where Used	Part Number
	Marine sealer	Shanks of the mounting bolts	Obtain Locally

- Place the lower mounting bolts into the mounting slots before placing the outboard on the transom.
- Refer to **Determining Recommended Outboard Mounting Height** in the **Outboard Installation Manual**, and install the outboard to the nearest recommended mounting height.
- Fasten the outboard with the stainless steel transom screws, nylon insert locknuts, and flat washers as shown. Tighten the locknuts or transom screws to the specified torque.

Description	Nm	lb-in.	lb-ft
Transom screws and nylon insert locknuts	75	–	55.3

REQUIRED MOUNTING INSTALLATION

The outboard must be secured to the boat transom with the four 12.7 mm (1/2 in.) diameter mounting screws, locknuts, and washers provided. Install two screws through the upper set of mounting holes and two screws through the lower set of mounting slots.

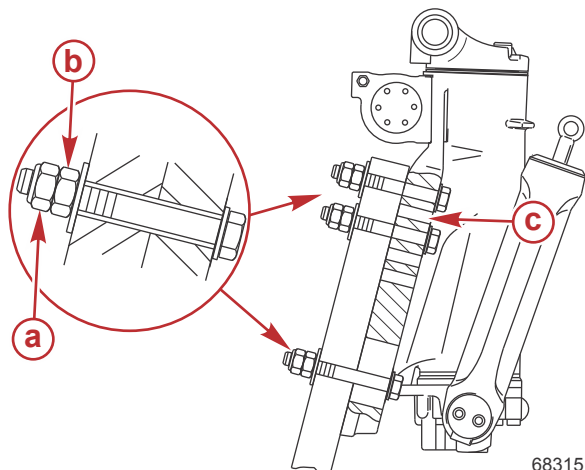


28923

INSTALLATION INFORMATION

ALTERNATE MOUNTING INSTALLATION

The outboard should be secured to the boat transom with the six 12.7 mm (1/2 in.) diameter mounting screws with two nuts on each screw. The two top screws must have one vacant transom mounting bracket hole between the screws. Only one locknut per screw is allowed.



- a** - Locknut
- b** - Nut
- c** - Vacant transom mounting bracket hole

Description	Nm	lb-in.	lb-ft
Outboard mounting bolts and locknuts	75	-	55.3

Outboard Transom Mounting Hardware - Supplied with Outboard		
Part Number	Part Name	Description
10-67755003	Transom bolt	1/2 x 20 x 5.50 in. long (3.25 in. thread)
11-826711-17	Nylon insert locknut	1/2 x 20
12-28421	Washer - inner	0.516 in. ID x 1.50 in. OD
12-895062	Washer - outer	0.551 in. ID x 1.06 in. OD

Available Transom Mounting Bolts		
Part Number	Part Name	Description
10-67755005	Transom bolt	1/2-20 x 2.50 in. long (1.25 in. thread)

INSTALLATION INFORMATION

Available Transom Mounting Bolts		
Part Number	Part Name	Description
10-67755006	Transom bolt	1/2-20 x 3.50 in. long (1.25 in. thread)
10-814259	Transom bolt	1/2-20 x 4.00 in. long (2.25 in. thread)
10-67755-1	Transom bolt	1/2-20 x 4.50 in. long (2.25 in. thread)
10-8M0033366	Transom bolt	1/2-20 x 5.00 in. long (3.25 in. thread)
10-67755-003	Transom bolt	1/2-20 x 5.50 in. long (3.25 in. thread)
10-67755-2	Transom bolt	1/2-20 x 6.50 in. long (2.75 in. thread)
10-8M0028080	Transom bolt	1/2-20 x 7.50 in. long (2.75 in. thread)
10-8M0032860	Transom bolt	1/2-20 x 8.00 in. long (2.75 in. thread)

MAINTENANCE LOG

Maintenance Log

Record all maintenance performed on your outboard here. Be sure to save all work orders and receipts.

Date	Maintenance Performed	Engine Hours